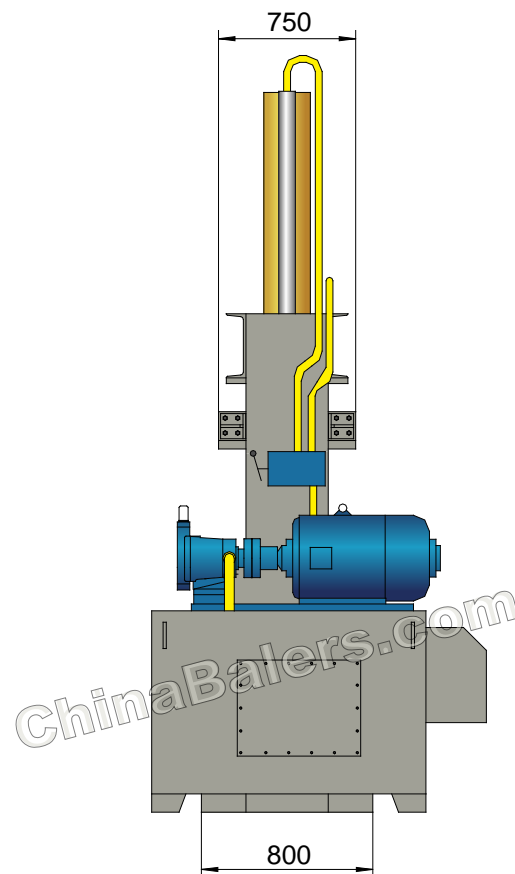
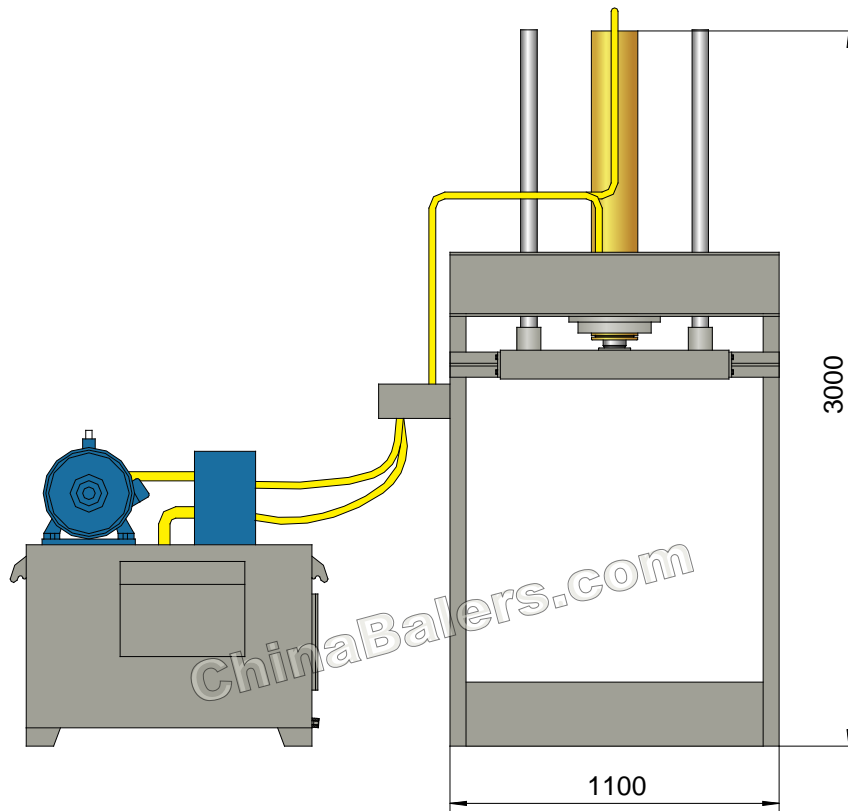
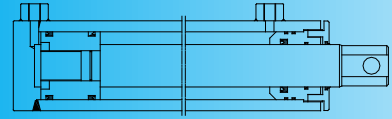


**ChinaBalers**

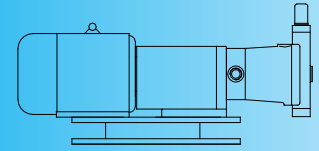
# Y82-YB Drum Flattener



# Y82-25YB



# Y82-25YB



## Drum Flattener

Model: Y82-25YB

### Power System (Motor)

Type: Y160L-6  
Rated Power: 11 kW  
Rated Speed: 970 rpm  
Power Spec: 3PH, 50 / 60Hz

### System Parameters

Main Pressure Cyl. Force: 25 Ton  
Hydraulic System Pressure: 12.5 MPa

### Hydraulic System (Pump)

Type: CBA1050  
Rated Displacement: 50 ml/r  
Max Operating Pressure: 21 MPa

### Standard Configuration

NOK (JAPAN) Seal Packings for Cylinders.

### Operation System

Manual Valve Operation

## General Description

Main Machine Size (L×W×H): 1400×800×3000 mm  
Working Table Size (L×W): 1000×800 mm  
Pressure Ram Size (L×W): 960×750 mm  
Space Between Ram & Table: Max. 950 mm; Min. 50 mm  
Discharging: Manual Discharging  
Shipping Weight: Approx. 1.3 tons  
Loading (Standard Containers): 1/3×20'GP

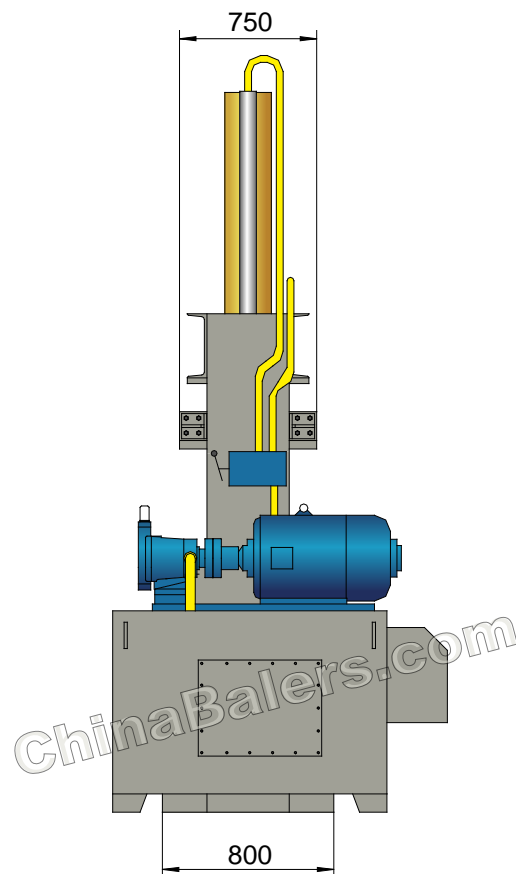
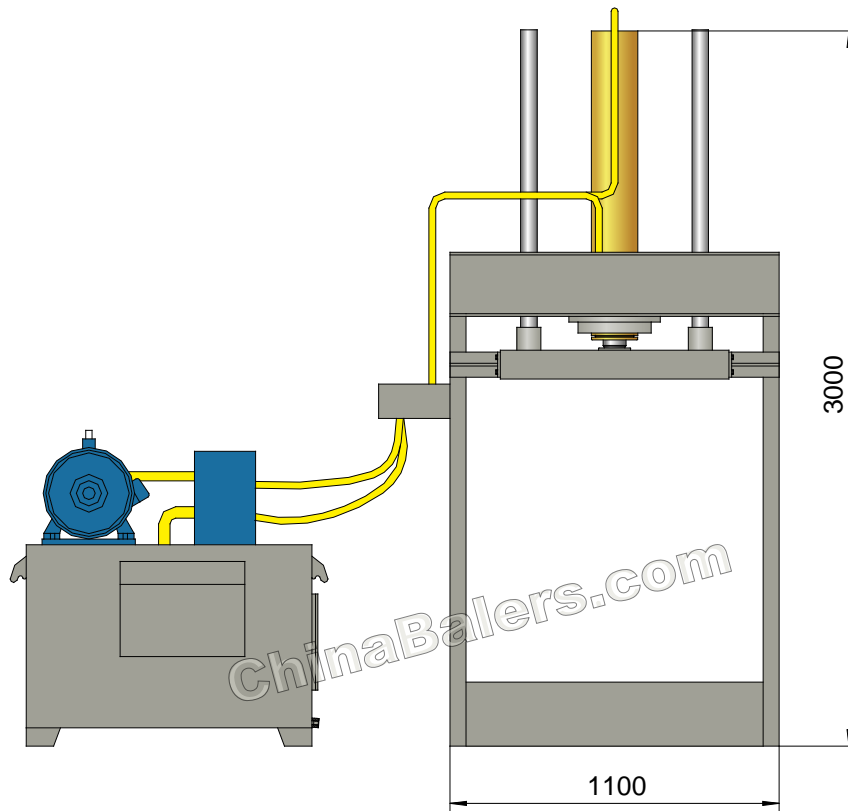
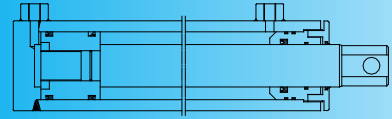
### Hydraulic Oil Brand

Oil Tank Volume: 320 ltr

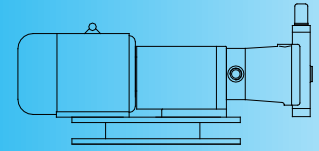
ISO VG	China	U.S.		Britain	France
	GB11118.1	CALTEX CO.	MOBIL	SHELL	ELF CO.
HM 46	46 #	Rando HD46	D.T.E46	Tellus 46	Elfolna 46
HM 68	68 #	Rando HD68	D.T.E68	Tellus 68	Elfolna 68

Above information are indicative not engaging. Rights reserved for change if necessary.

# Y82-63YB



# Y82-63YB



## Drum Flattener

Model: Y82-63YB

### Power System (Motor)

Type: Y180L-6  
Rated Power: 15 kW  
Rated Speed: 970 rpm  
Power Spec: 3PH, 50 / 60Hz

### System Parameters

Main Pressure Cyl. Force: 63 Ton  
Hydraulic System Pressure: 20 MPa

### Hydraulic System (Pump)

Type: 63YCY14-1B  
Rated Displacement: 63 ml/r  
Max Operating Pressure: 31.5 MPa

### Standard Configuration

NOK (JAPAN) Seal Packings for Cylinders.

### Operation System

Manual Valve Operation

## General Description

Main Machine Size (L×W×H): 1400×800×3000 mm  
Working Table Size (L×W): 1000×800 mm  
Pressure Ram Size (L×W): 960×750 mm  
Space Between Ram & Table: Max. 900 mm; Min. 100 mm  
Discharging: Manual Discharging  
Shipping Weight: Approx. 1.6 tons  
Loading (Standard Containers): 1/3×20'GP

### Hydraulic Oil Brand

Oil Tank Volume: 320 ltr

ISO VG	China	U.S.		Britain	France
	GB11118.1	CALTEX CO.	MOBIL	SHELL	ELF CO.
HM 46	46 #	Rando HD46	D.T.E46	Tellus 46	Elfolna 46
HM 68	68 #	Rando HD68	D.T.E68	Tellus 68	Elfolna 68

Above information are indicative not engaging. Rights reserved for change if necessary.



**Soochow Baling Machinery Ltd.  
Jiangsu Huahong Technology Stock Co., Ltd.**

**Factory:** Zhouzhuang, Jiangyin, Jiangsu

**Office:** Rm 1202, SIPCTD Bldg, No. 381 Suzhou Avenue East,  
Suzhou Industrial Park, Suzhou, Jiangsu 215028 China

**Tel:** +86 512 6255 1141 **Fax:** +86 512 6255 1142

**Email:** info@chinabalers.com; chinabalers@foxmail.com

**Website:** www.chinabalers.com; www.chinabalers.net