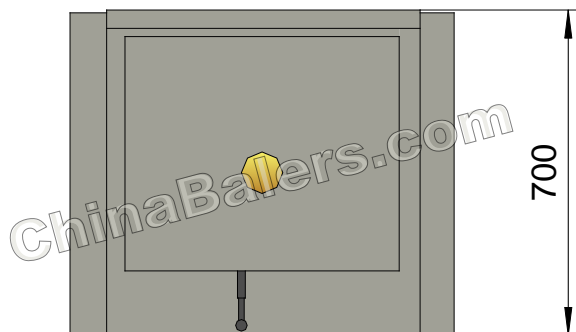
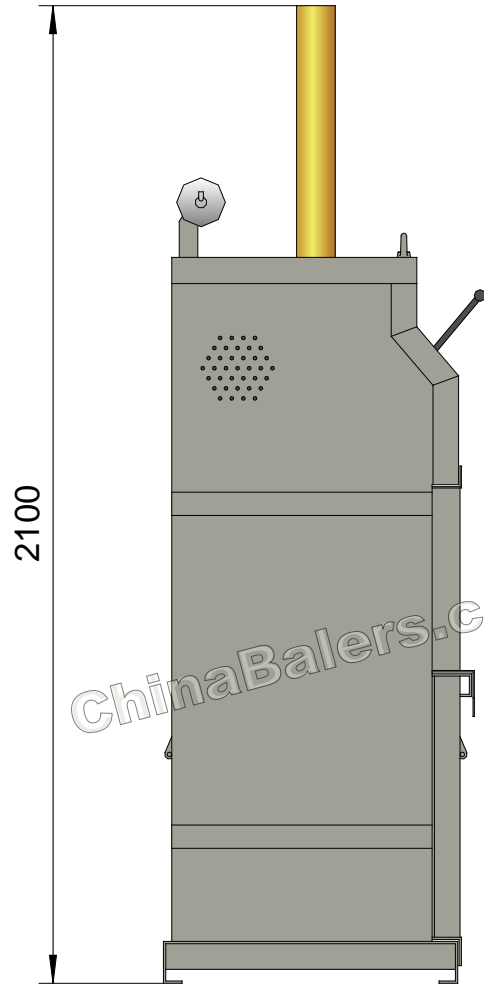
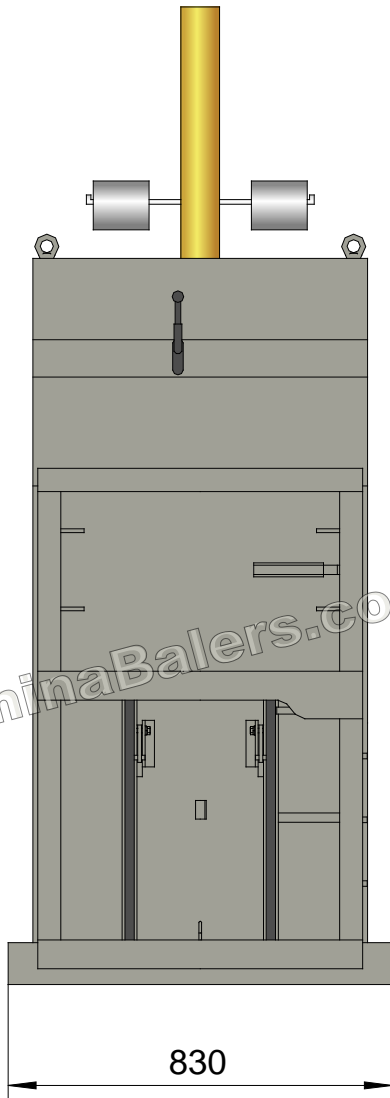
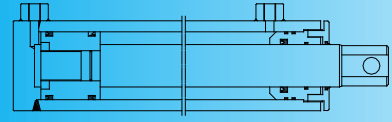


**ChinaBalers**

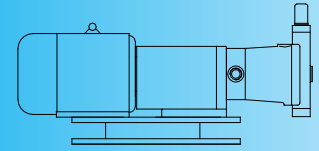


Y82-F Paper Plastic Baler

# CY3280



# CY3280



## Vertical Paper / Cardboard / Plastic Baler

Model: CY3280

### Power System (Motor)

Type: 2HP4P  
Rated Power: 1.5 kW  
Power Spec: 1PH/3PH, 50/60 Hz

### System Parameters

Main Pressure Cyl. Force: 3 Ton  
Hydraulic System Pressure: 10 MPa

### Hydraulic System (Pump)

Type: PA-6-R  
Rated Displacement: 7.67 ml/r  
Max Operating Pressure: 21 MPa

### Standard Configuration

NOK (JAPAN) Seal Packings for Cylinder.

### Operation System

Manual Valve Operation

### General Description

Main Machine Size (L×W×H): 830×700×2100 mm  
Press Box Size (L×W×H): 600×500×985 mm  
Space Between Ram & Bottom: Max. 985 mm; Min. 195 mm  
Bale Size (L×W): 600×500 mm  
Bale Weight (Cardboard): 20-30 kg  
Production Rate (Cardboard): 120-180 kg/hr  
Strapping: Plastic Wire, 2 Lines, Manual Strapping.  
Bale Discharging: Manual Discharging With Small Barrow.  
Shipping Weight: Approx. 450 kg  
Loading (Standard Containers): 1/18×20'GP

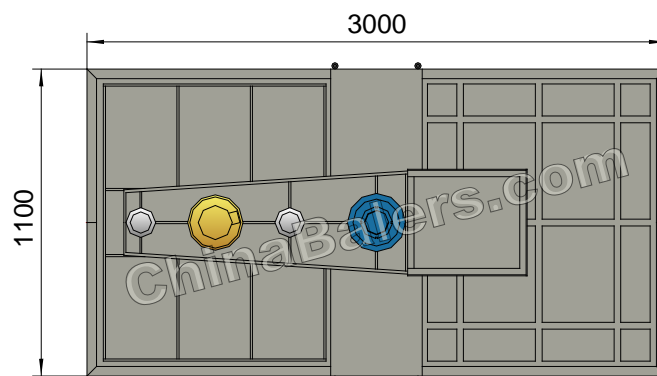
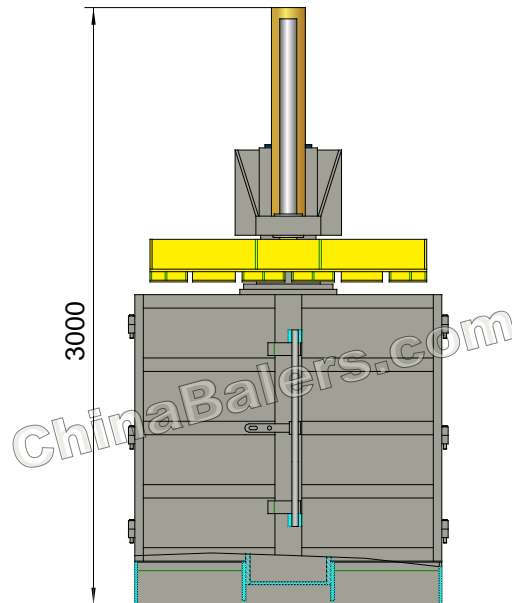
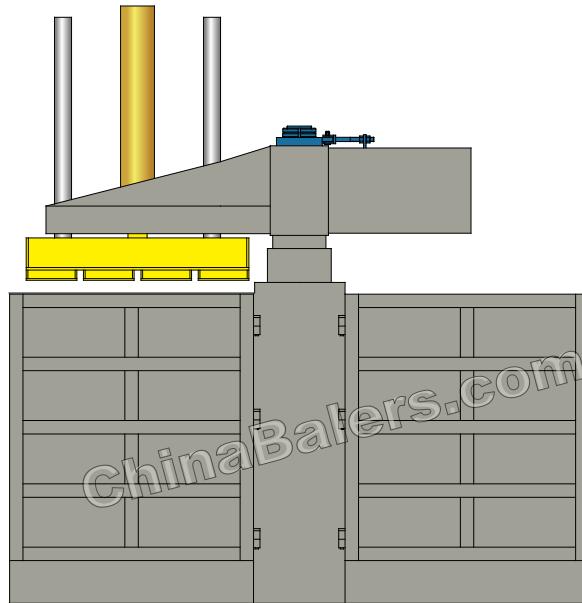
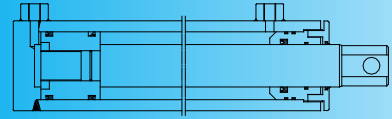
### Hydraulic Oil Brand

Oil Tank Volume: 15 ltr

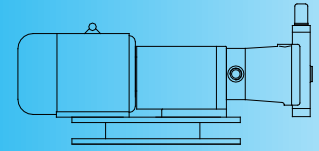
ISO VG	China	U.S.		Britain	France
	GB11118.1	CALTEX CO.	MOBIL	SHELL	ELF CO.
HM 46	46 #	Rando HD46	D.T.E46	Tellus 46	Elfolna 46
HM 68	68 #	Rando HD68	D.T.E68	Tellus 68	Elfolna 68

Above information are indicative not engaging. Rights reserved for change if necessary.

# YE82-12F



# YE82-12F



## Dual Chamber Paper / Plastic Baler

Model: YE82-12F

### Power System (Motor)

Type:	Y112M-4
Rated Power:	4 kW
Rated Speed:	1440 rpm
Power Spec:	3PH, 50 / 60Hz

### System Parameters

Main Pressure Cyl. Force:	12 Ton
Hydraulic System Pressure:	9.5 MPa

### Hydraulic System (Pump)

Type:	PV2R1-17
Rated Displacement:	17.1 ml/r
Max Operating Pressure:	21 MPa

### Standard Configuration

NOK (JAPAN) Seal Packings for Cylinders.

### Operation System

Hydro-electrical Valves, Push Button Control.

## General Description

Main Machine Size (L×W×H):	3000×1100×3000 mm
Press Box Size (L×W×H):	1200×900×1170 mm (Dual Chamber)
Space Between Ram & Bottom:	Max. 1250 mm; Min. 350 mm
Bale Size (L×W):	1200×900 mm
Bale Weight (Cardboard):	250-300 kg
Production Rate (Cardboard):	1250-1500 kg/hr
Strapping:	Tempered Iron Wire, $\phi 2.8/3.2$ mm, 8 Lines 2-way, Manual Strapping.
Bale Discharging:	Manual Discharging
Shipping Weight:	Approx. 3.5 tons
Loading (Standard Containers):	1/2×20'GP

### Hydraulic Oil Brand

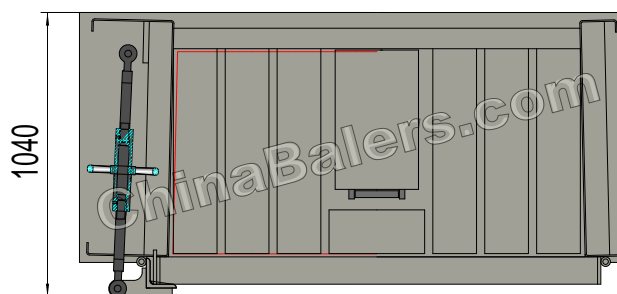
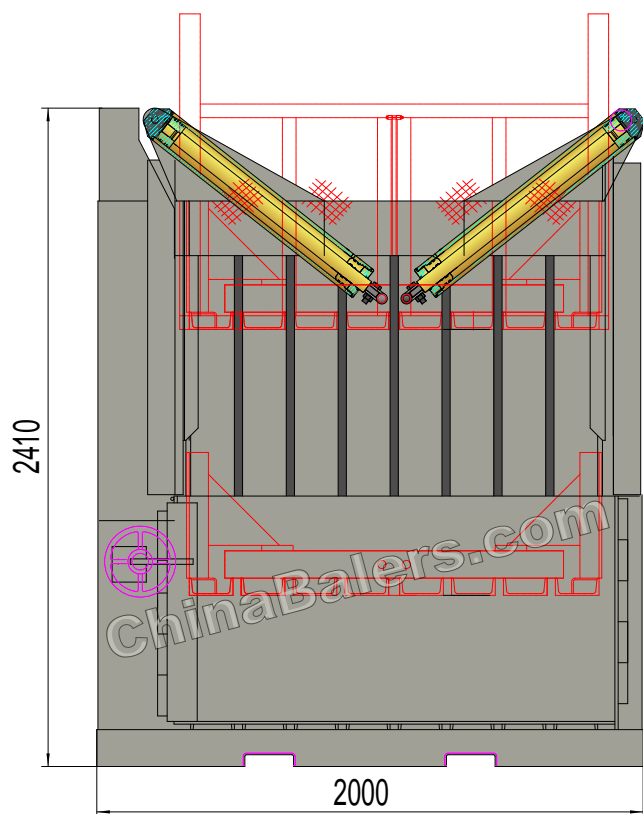
Oil Tank Volume:

120 ltr

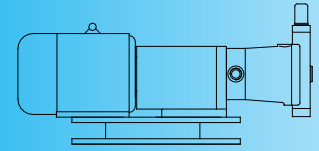
ISO VG	China	U.S.		Britain	France
	GB11118.1	CALTEX CO.	MOBIL	SHELL	ELF CO.
HM 46	46 #	Rando HD46	D.T.E46	Tellus 46	Elfolna 46
HM 68	68 #	Rando HD68	D.T.E68	Tellus 68	Elfolna 68

Above information are indicative not engaging. Rights reserved for change if necessary.

# YE82-25DC



# YE82-25DC



Vertical Paper / Cardboard / Plastic Baler

Model: YE82-25DC

## Power System (Motor)

Type: MP15P4H624  
Rated Power: 11 kW  
Rated Speed: rpm  
Power Spec: 3PH, 50 / 60Hz

## System Parameters

Main Pressure Cyl. Force: 25 Ton  
Hydraulic System Pressure: MPa

## Hydraulic System (Pump)

Type: GHP2A-D-40-FG  
Rated Displacement: ml/r  
Max Operating Pressure: MPa

## Standard Configuration

NOK (JAPAN) Seal Packings for Cylinders.  
Safety Screen; Handwheel for Fastening the Door.

## Operation System

Solenoid Valve Operation; Push Button Control.

## General Description

Main Machine Size (L×W×H): 2000×1040×2410 mm  
Press Box Size (L×W×H): 1520×760×1417 mm  
Space Between Ram & Bottom: Max. 1417 mm; Min. 443.5 mm  
Bale Size (L×W): 1520×760 mm  
Bale Weight (Cardboard): 300-400 kg  
Production Rate (Cardboard): 1000-1200 kg/hr  
Strapping: Tempered Iron Wire,  $\phi$ 2.8/3.2mm, 4 Lines, Manual Strapping.  
Bale Discharging: Turn Bale at Returning Stroke.  
Shipping Weight: Approx. 2.6 tons  
Loading (Standard Containers): 1/4×20'GP

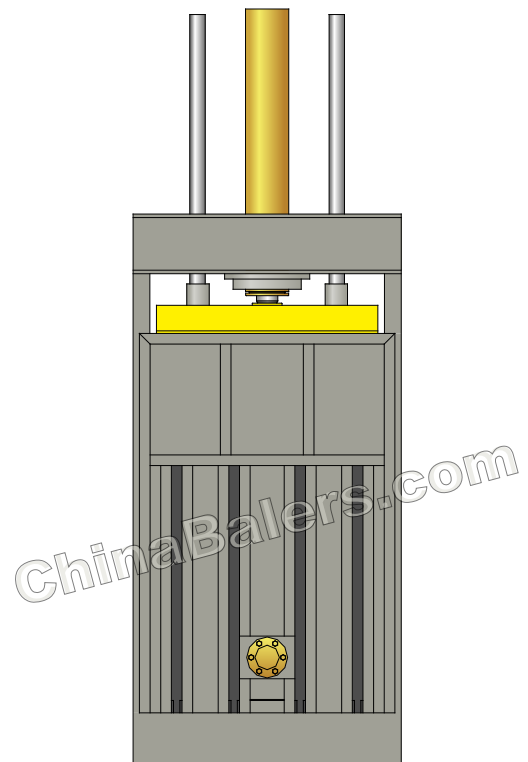
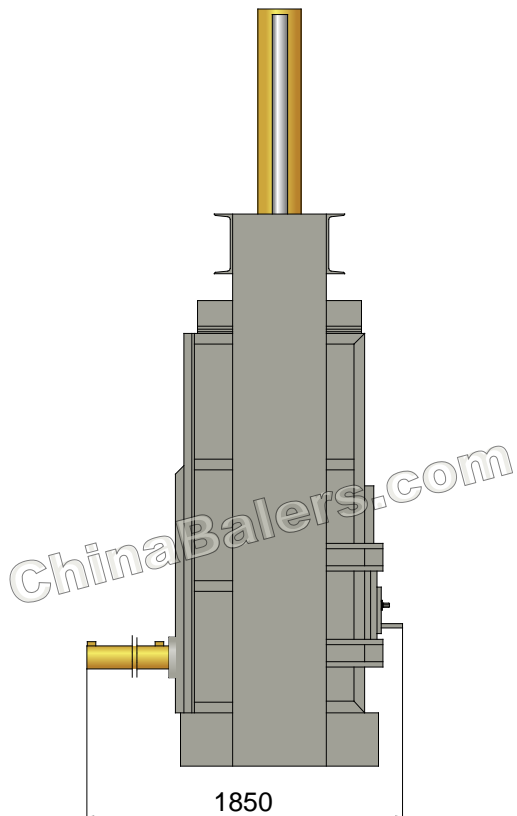
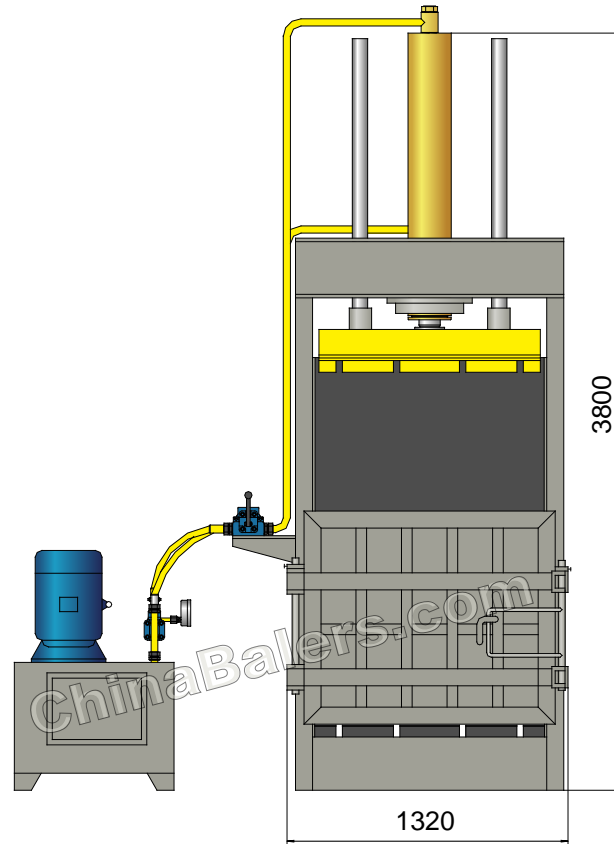
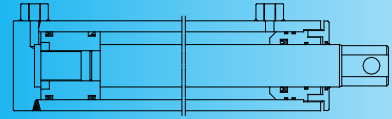
## Hydraulic Oil Brand

Oil Tank Volume: ltr

ISO VG	China	U.S.		Britain	France
	GB11118.1	CALTEX CO.	MOBIL	SHELL	ELF CO.
HM 46	46 #	Rando HD46	D.T.E46	Tellus 46	Elfolna 46
HM 68	68 #	Rando HD68	D.T.E68	Tellus 68	Elfolna 68

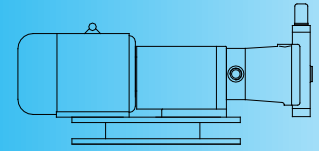
Above information are indicative not engaging. Rights reserved for change if necessary.

# YE82T-25F





# YE82T-25F



Vertical Paper / Cardboard / Plastic Baler

Model: YE82T-25F

## Power System (Motor)

Type: Y180L-6  
Rated Power: 15 kW  
Rated Speed: 970 rpm  
Power Spec: 3PH, 50 / 60Hz

## System Parameters

Main Pressure Cyl. Force: 25 Ton  
Ejection Cyl. Force: 6.3 Ton  
Hydraulic System Pressure: 12.5 MPa

## Hydraulic System (Pump)

Type: 63YCY14-1B  
Rated Displacement: 63 ml/r  
Max Operating Pressure: 31.5 MPa

## Standard Configuration

NOK (JAPAN) Seal Packings for Cylinders.

## Operation System

Manual Valve Operation

## General Description

Main Machine Size (L×W×H): 1550×1850×3800 mm  
Press Box Size (L×W×H): 1100×800×1650 mm  
Space Between Ram & Bottom: Max. 1650 mm; Min. 450 mm  
Bale Size (L×W): 1100×800 mm  
Bale Weight (Cardboard): 250-300 kg  
Production Rate (Cardboard): 800-1000 kg/hr  
Strapping: Tempered Iron Wire,  $\phi$ 2.8/3.2mm, 4 Lines, Manual Strapping.  
Bale Discharging: By Ejection Cylinder  
Shipping Weight: Approx. 2.5 tons  
Loading (Standard Containers): 1/2×20'GP

## Hydraulic Oil Brand

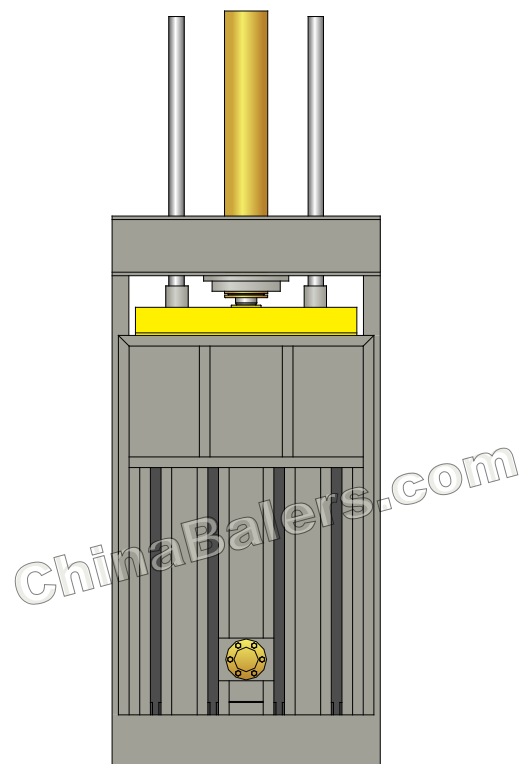
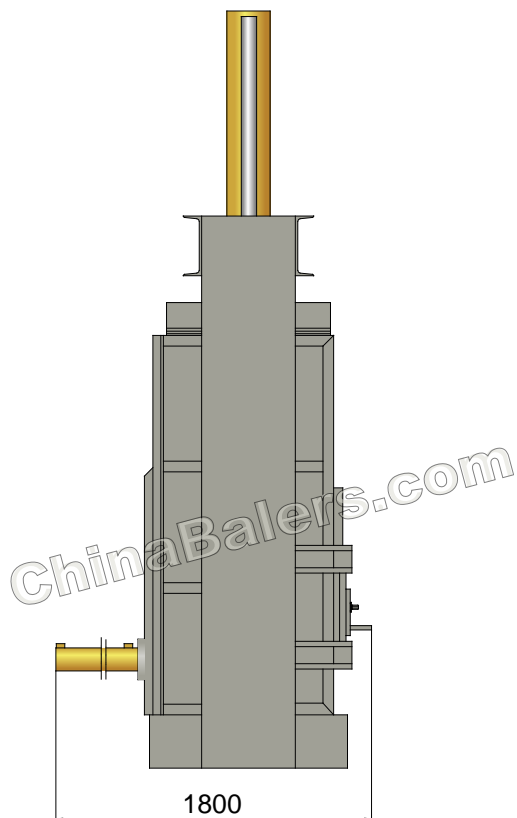
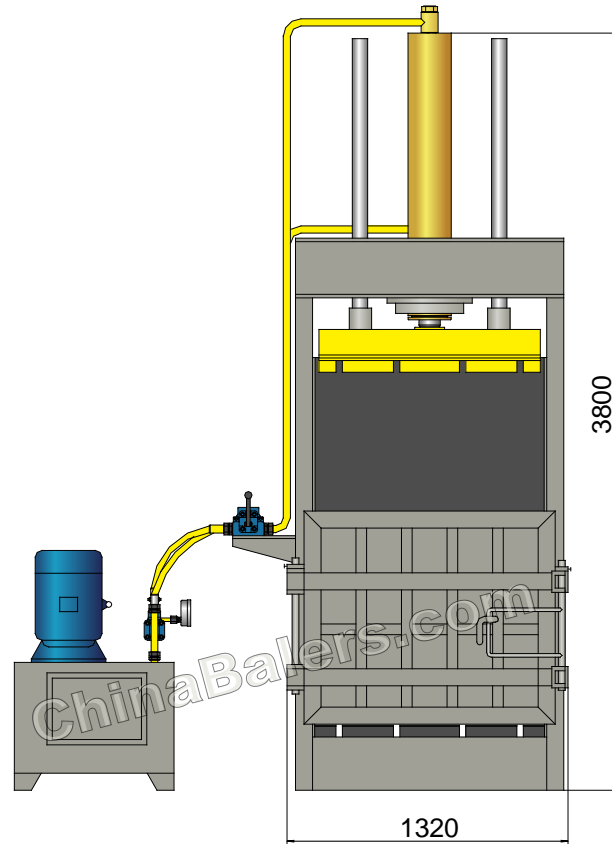
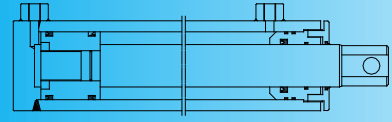
Oil Tank Volume:

320 ltr

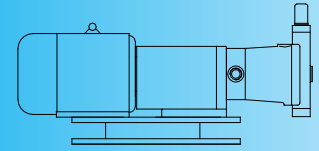
ISO VG	China	U.S.		Britain	France
	GB11118.1	CALTEX CO.	MOBIL	SHELL	ELF CO.
HM 46	46 #	Rando HD46	D.T.E46	Tellus 46	Elfolna 46
HM 68	68 #	Rando HD68	D.T.E68	Tellus 68	Elfolna 68

Above information are indicative not engaging. Rights reserved for change if necessary.

# YE82T-35F



# YE82T-35F



Vertical Paper / Cardboard / Plastic Baler

Model: YE82T-35F

## Power System (Motor)

Type: Y180L-6 / Y160L-4  
Rated Power: 15 / 15 kW  
Rated Speed: 970 / 1460 rpm  
Power Spec: 3PH, 50 / 60Hz

## System Parameters

Main Pressure Cyl. Force: 35 Ton  
Ejection Cyl. Force: 7 Ton  
Hydraulic System Pressure: 14 MPa

## Hydraulic System (Pump)

Type: 63YCY / PV2R2-41  
Rated Displacement: 63 / 41.3 ml/r  
Max Operating Pressure: 31.5 / 21 MPa

## Standard Configuration

NOK (JAPAN) Seal Packings for Cylinders.

## Operation System

Manual Valve Operation

## General Description

Main Machine Size (L×W×H): 1550×1800×3800 mm  
Press Box Size (L×W×H): 1100×750×1500 mm  
Space Between Ram & Bottom: Max. 1500 mm; Min. 300 mm  
Bale Size (L×W): 1100×750 mm  
Bale Weight (Cardboard): 250-300 kg  
Production Rate (Cardboard): 800-1000 kg/hr  
Strapping: Tempered Iron Wire,  $\phi$ 2.8/3.2mm, 4 Lines, Manual Strapping.  
Bale Discharging: By Ejection Cylinder  
Shipping Weight: Approx. 2.6 tons  
Loading (Standard Containers): 1/2×20'GP

## Hydraulic Oil Brand

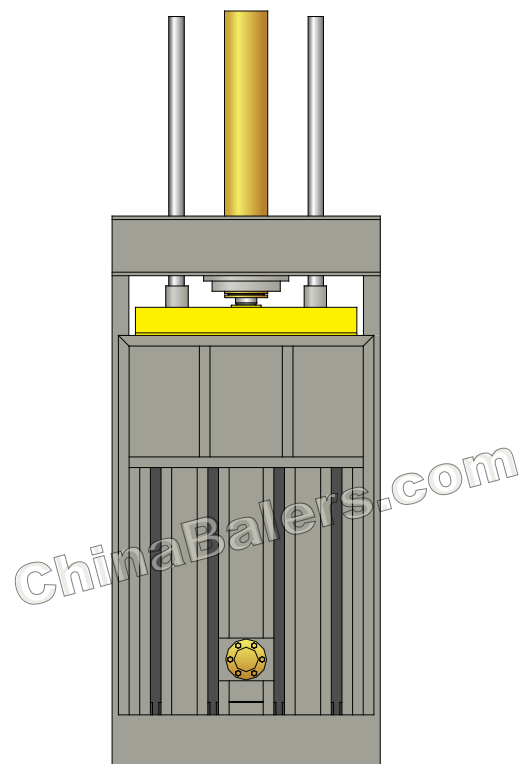
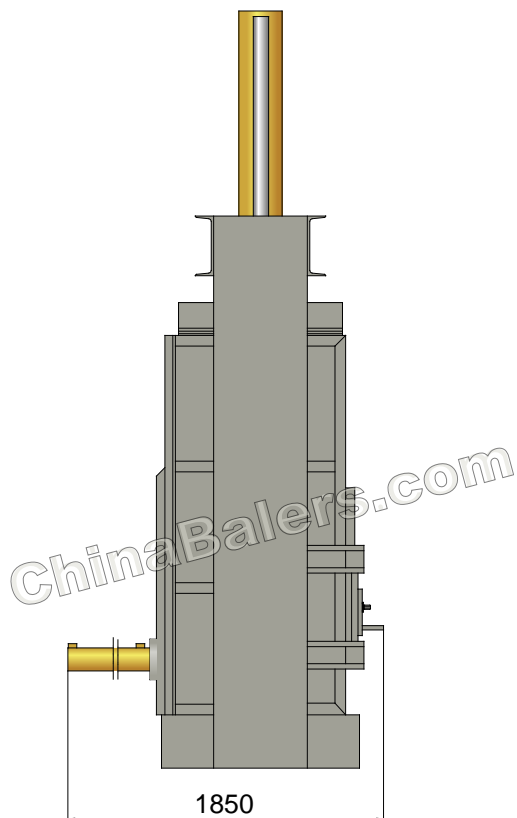
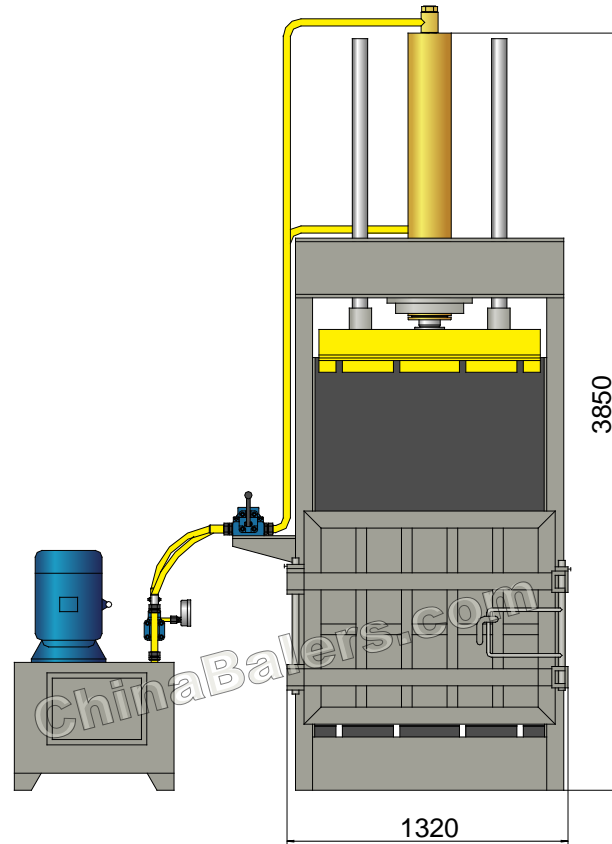
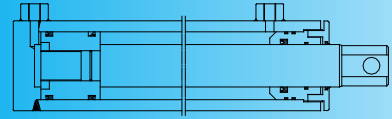
Oil Tank Volume:

320 ltr

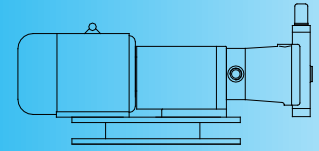
ISO VG	China	U.S.		Britain	France
	GB11118.1	CALTEX CO.	MOBIL	SHELL	ELF CO.
HM 46	46 #	Rando HD46	D.T.E46	Tellus 46	Elfolna 46
HM 68	68 #	Rando HD68	D.T.E68	Tellus 68	Elfolna 68

Above information are indicative not engaging. Rights reserved for change if necessary.

# Y82T-63F



# Y82T-63F



Vertical Paper / Cardboard / Plastic Baler

Model: Y82T-63F

## Power System (Motor)

Type: Y180L-6  
 Rated Power: 15 kW  
 Rated Speed: 970 rpm  
 Power Spec: 3PH, 50 / 60Hz

## System Parameters

Main Pressure Cyl. Force: 63 Ton  
 Ejection Cyl. Force: 10 Ton  
 Hydraulic System Pressure: 20 MPa

## Hydraulic System (Pump)

Type: 63YCY14-1B  
 Rated Displacement: 63 ml/r  
 Max Operating Pressure: 31.5 MPa

## Standard Configuration

NOK (JAPAN) Seal Packings for Cylinders.

## Operation System

Manual Valve Operation

## General Description

Main Machine Size (L×W×H): 1550×1850×3850 mm  
 Press Box Size (L×W×H): 1100×800×1500 mm  
 Space Between Ram & Bottom: Max. 1500 mm; Min. 300 mm  
 Bale Size (L×W): 1100×800 mm  
 Bale Weight (Cardboard): 280-330 kg  
 Production Rate (Cardboard): 850-1000 kg/hr  
 Strapping: Tempered Iron Wire,  $\phi$ 2.8/3.2mm, 4 Lines, Manual Strapping.  
 Bale Discharging: By Ejection Cylinder  
 Shipping Weight: Approx. 3.5 tons  
 Loading (Standard Containers): 1/2×20'GP

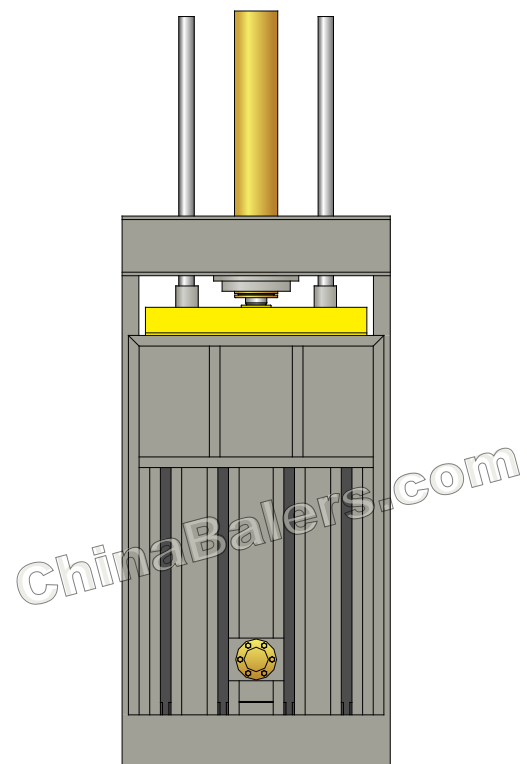
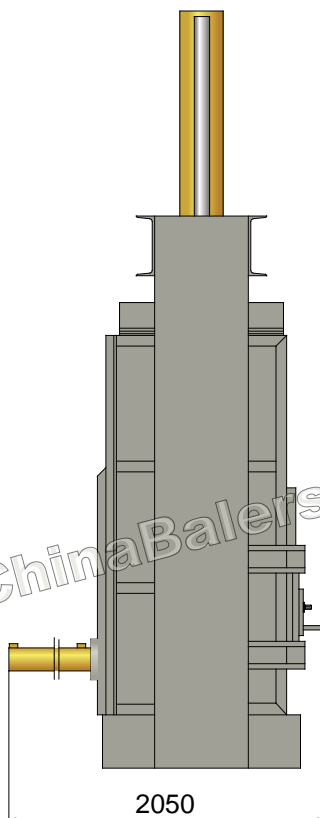
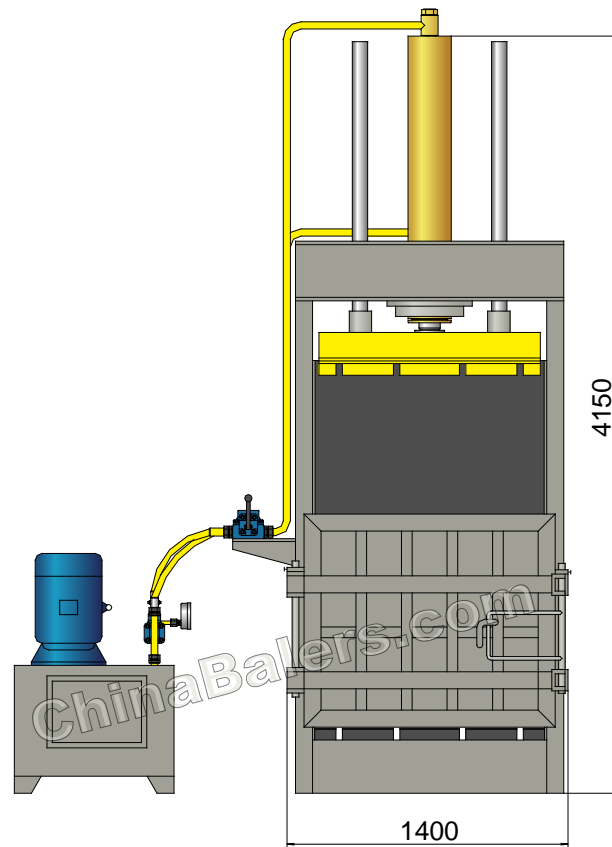
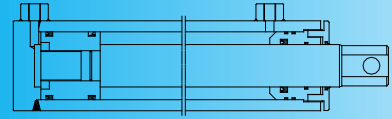
## Hydraulic Oil Brand

Oil Tank Volume: 320 ltr

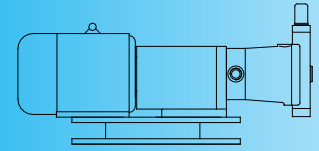
ISO VG	China	U.S.		Britain	France
	GB11118.1	CALTEX CO.	MOBIL	SHELL	ELF CO.
HM 46	46 #	Rando HD46	D.T.E46	Tellus 46	Elfolna 46
HM 68	68 #	Rando HD68	D.T.E68	Tellus 68	Elfolna 68

Above information are indicative not engaging. Rights reserved for change if necessary.

# YE82T-100F



# YE82T-100F



Vertical Paper / Cardboard / Plastic Baler

Model: YE82T-100F

## Power System (Motor)

Type: Y180M-4  
 Rated Power: 18.5 kW  
 Rated Speed: 1470 rpm  
 Power Spec: 3PH, 50 / 60Hz

## System Parameters

Main Pressure Cyl. Force: 100 Ton  
 Ejection Cyl. Force: 12 Ton  
 Hydraulic System Pressure: 25 MPa

## Hydraulic System (Pump)

Type: 80YCY14-1B  
 Rated Displacement: 80 ml/r  
 Max Operating Pressure: 31.5 MPa

## Standard Configuration

NOK (JAPAN) Seal Packings for Cylinders.

## Operation System

Manual Valve Operation

## General Description

Main Machine Size (L×W×H): 1630×2050×4150 mm  
 Press Box Size (L×W×H): 1100×740×1700 mm  
 Space Between Ram & Bottom: Max. 1700 mm; Min. 400 mm  
 Bale Size (L×W): 1100×740 mm  
 Bale Weight (Cardboard): 300-350 kg  
 Production Rate (Cardboard): 1000-1200 kg/hr  
 Strapping: Tempered Iron Wire,  $\phi$ 2.8/3.2mm, 4 Lines, Manual Strapping.  
 Bale Discharging: By Ejection Cylinder  
 Shipping Weight: Approx. 5.8 tons  
 Loading (Standard Containers): 1/2×20'GP

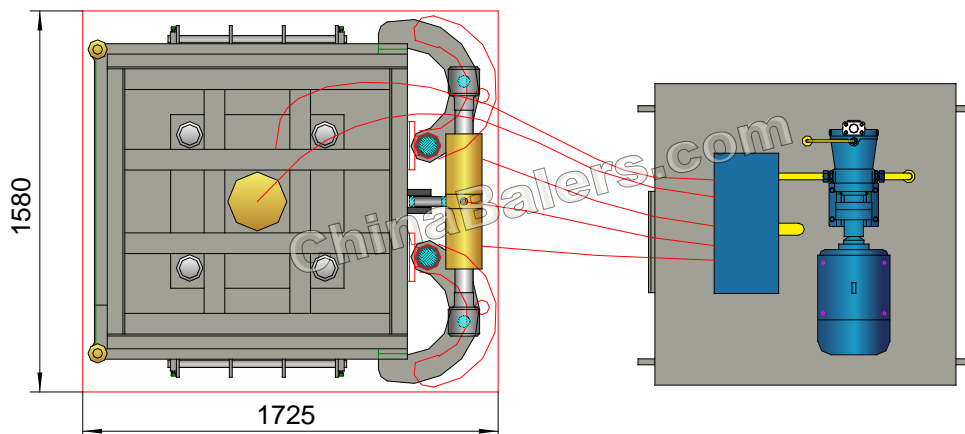
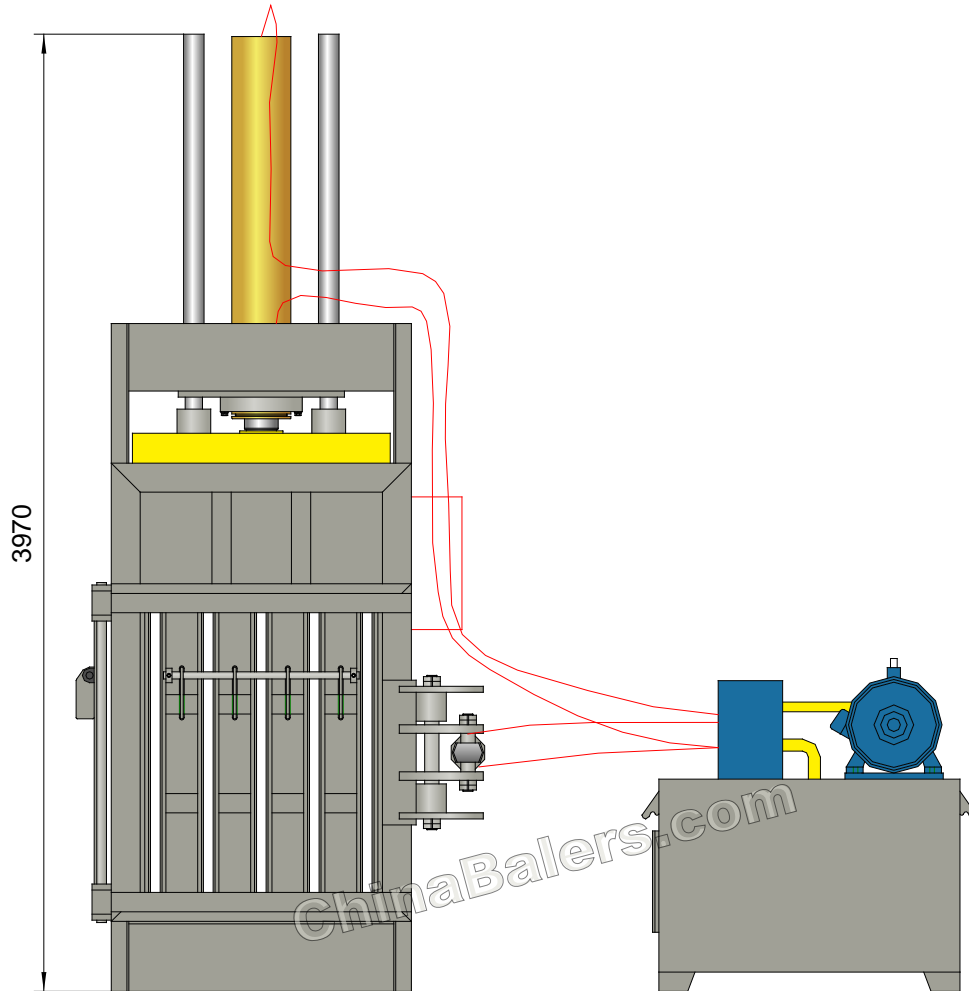
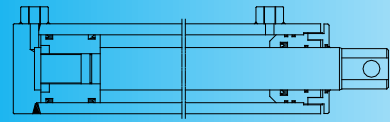
## Hydraulic Oil Brand

Oil Tank Volume: 320 ltr

ISO VG	China	U.S.		Britain	France
	GB11118.1	CALTEX CO.	MOBIL	SHELL	ELF CO.
HM 46	46 #	Rando HD46	D.T.E46	Tellus 46	Elfolna 46
HM 68	68 #	Rando HD68	D.T.E68	Tellus 68	Elfolna 68

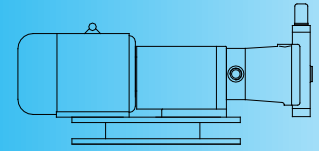
Above information are indicative not engaging. Rights reserved for change if necessary.

# YE82-63FB





# YE82-63FB



Vertical Paper / Cardboard / Plastic Baler

Model: YE82-63FB

## Power System (Motor)

Type: Y180L-6  
 Rated Power: 15 kW  
 Rated Speed: 970 rpm  
 Power Spec: 3PH, 50 / 60Hz

## System Parameters

Main Pressure Cyl. Force: 63 Ton  
 Locking Cyl. Force: 19 Ton  
 Hydraulic System Pressure: 20 MPa

## Hydraulic System (Pump)

Type: 63YCY14-1B  
 Rated Displacement: 63 ml/r  
 Max Operating Pressure: 31.5 MPa

## Standard Configuration

NOK (JAPAN) Seal Packings for Cylinders.

## Operation System

Hydro-electrical Valves, Push Button Control.

## General Description

Main Machine Size (L×W×H): 1725×1580×3970 mm  
 Press Box Size (L×W×H): 1100×1100×1600 mm  
 Space Between Ram & Bottom: Max. 1600 mm; Min. 400 mm  
 Bale Size (L×W): 1100×1100 mm  
 Bale Weight (Cardboard): 350-450 kg  
 Production Rate (Cardboard): 1050-1350 kg/hr  
 Strapping: Tempered Iron Wire,  $\phi$ 2.8/3.2mm, 5 Lines, Manual Strapping.  
 Bale Discharging: Turn-out at Returning Stroke  
 Shipping Weight: Approx. 6.6 tons  
 Loading (Standard Containers): 1×20'GP

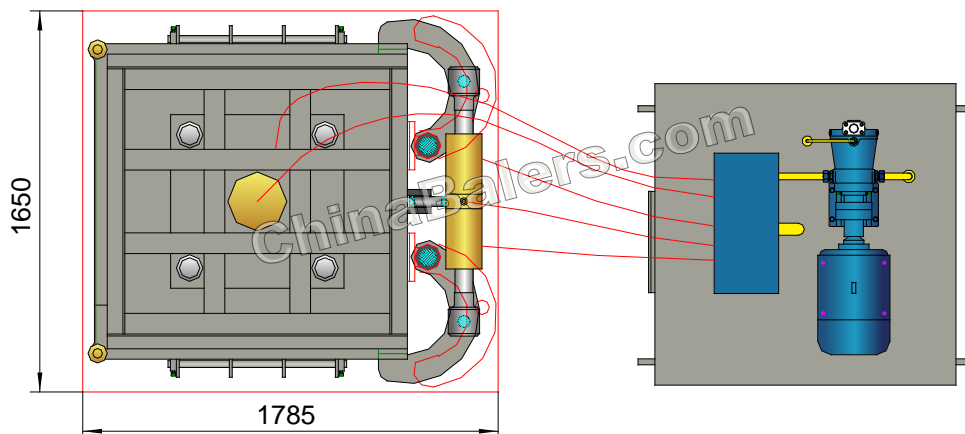
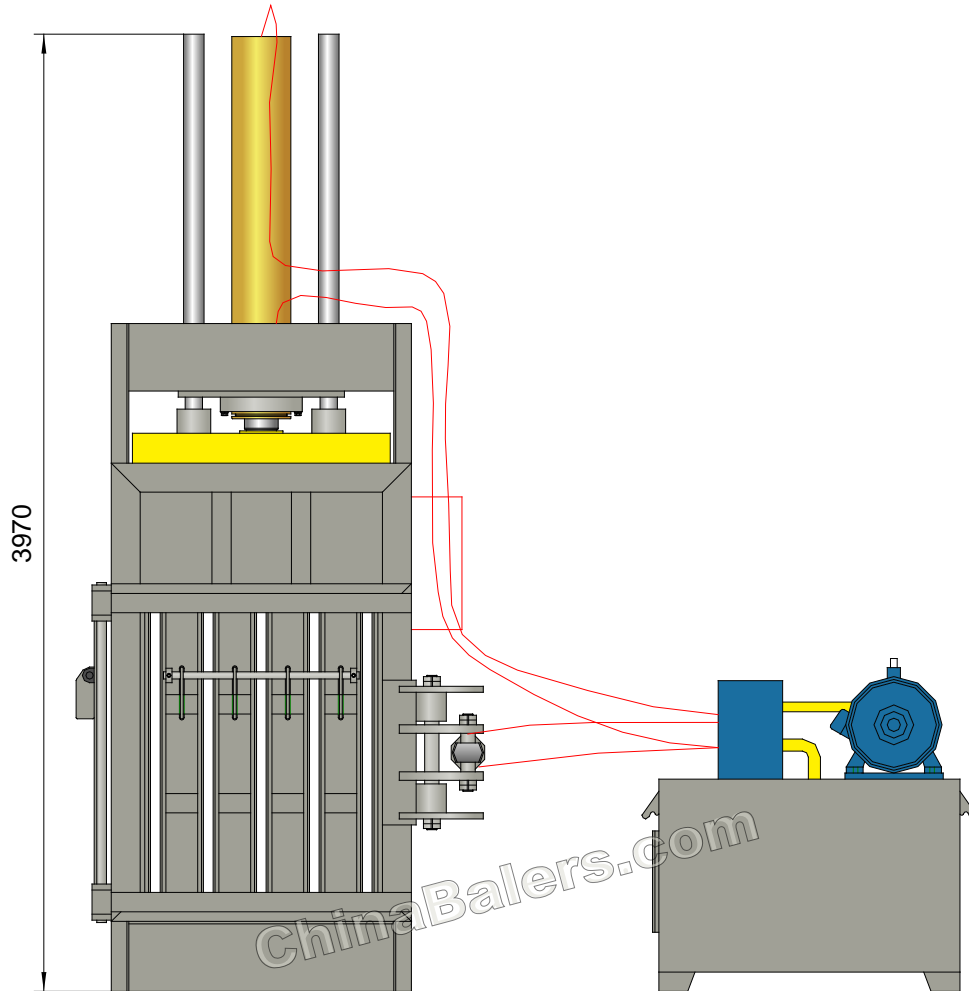
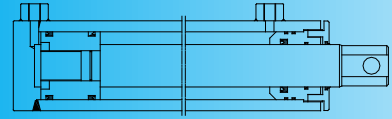
## Hydraulic Oil Brand

Oil Tank Volume: 750 ltr

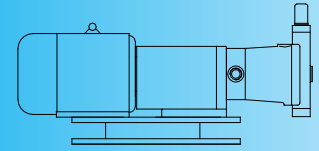
ISO VG	China	U.S.		Britain	France
	GB11118.1	CALTEX CO.	MOBIL	SHELL	ELF CO.
HM 46	46 #	Rando HD46	D.T.E46	Tellus 46	Elfolna 46
HM 68	68 #	Rando HD68	D.T.E68	Tellus 68	Elfolna 68

Above information are indicative not engaging. Rights reserved for change if necessary.

# YE82-100FB



# YE82-100FB



Vertical Paper / Cardboard / Plastic Baler

Model: YE82-100FB

## Power System (Motor)

Type: Y180M-4  
Rated Power: 18.5 kW  
Rated Speed: 1470 rpm  
Power Spec: 3PH, 50 / 60Hz

## System Parameters

Main Pressure Cyl. Force: 100 Ton  
Locking Cyl. Force: 24 Ton  
Hydraulic System Pressure: 25 MPa

## Hydraulic System (Pump)

Type: 80YCY14-1B  
Rated Displacement: 80 ml/r  
Max Operating Pressure: 31.5 MPa

## Standard Configuration

NOK (JAPAN) Seal Packings for Cylinders.

## Operation System

Hydro-electrical Valves, Push Button Control.

## General Description

Main Machine Size (L×W×H): 1785×1650×3970 mm  
Press Box Size (L×W×H): 1100×1100×1600 mm  
Space Between Ram & Bottom: Max. 1600 mm; Min. 400 mm  
Bale Size (L×W): 1100×1100 mm  
Bale Weight (Cardboard): 400-500 kg  
Production Rate (Cardboard): 1200-1500 kg/hr  
Strapping: Tempered Iron Wire,  $\phi$ 2.8/3.2mm, 5 Lines, Manual Strapping.  
Bale Discharging: Turn-out at Returning Stroke  
Shipping Weight: Approx. 6.8 tons  
Loading (Standard Containers): 1×20'GP

## Hydraulic Oil Brand

Oil Tank Volume:

750 ltr

ISO VG	China	U.S.		Britain	France
	GB11118.1	CALTEX CO.	MOBIL	SHELL	ELF CO.
HM 46	46 #	Rando HD46	D.T.E46	Tellus 46	Elfolna 46
HM 68	68 #	Rando HD68	D.T.E68	Tellus 68	Elfolna 68

Above information are indicative not engaging. Rights reserved for change if necessary.



**Soochow Baling Machinery Ltd.  
Jiangsu Huahong Technology Stock Co., Ltd.**

**Factory:** Zhouzhuang, Jiangyin, Jiangsu

**Office:** Rm 1202, SIPCTD Bldg, No. 381 Suzhou Avenue East,  
Suzhou Industrial Park, Suzhou, Jiangsu 215028 China

**Tel:** +86 512 6255 1141 **Fax:** +86 512 6255 1142

**Email:** [info@chinabalers.com](mailto:info@chinabalers.com); [chinabalers@foxmail.com](mailto:chinabalers@foxmail.com)

**Website:** [www.chinabalers.com](http://www.chinabalers.com); [www.chinabalers.net](http://www.chinabalers.net)