

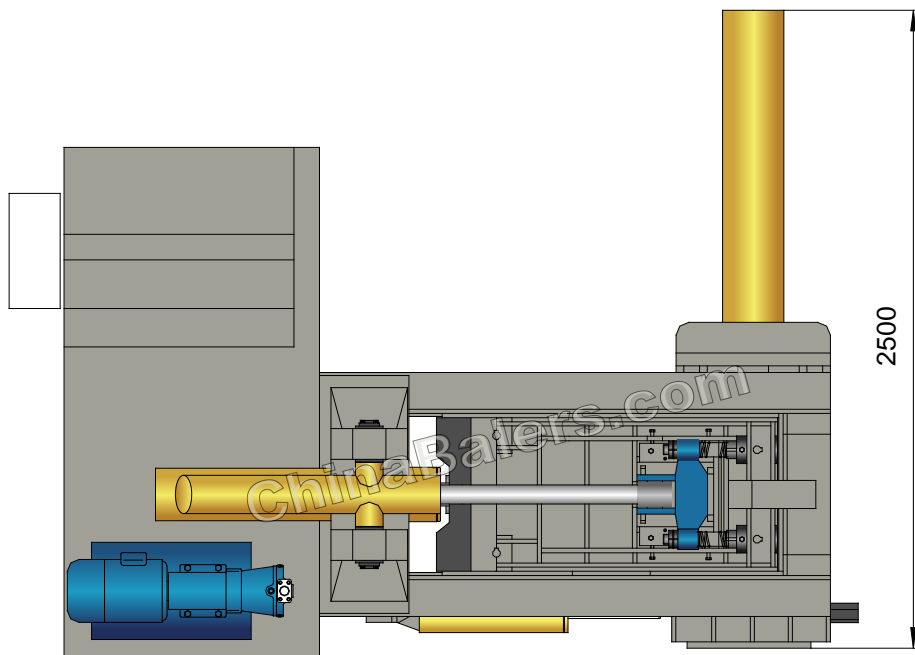
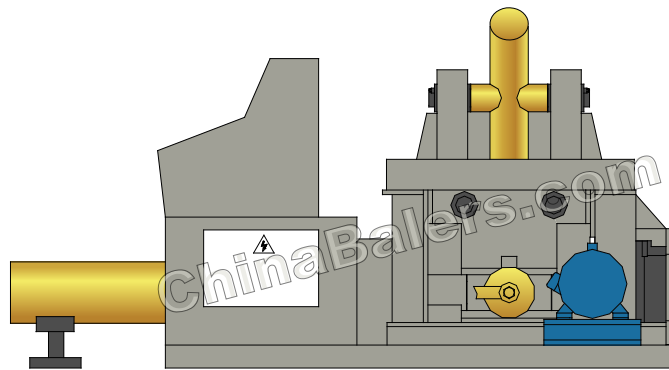
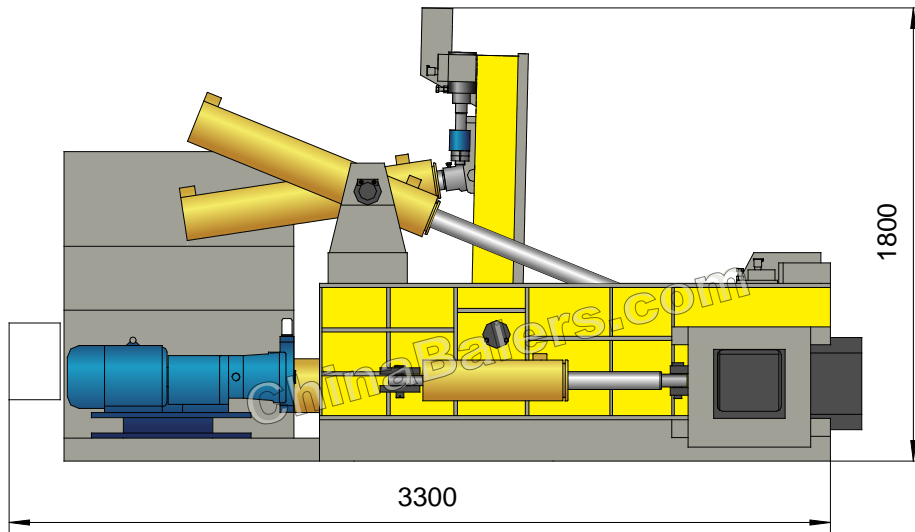
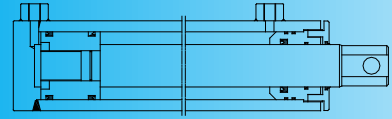
ChinaBalers



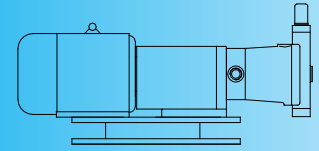
Y81T Scrap Metal Baler

3-way Compression, Side Ejection

YE81T-63B



YE81T-63B



"Push-out" Type Metal Baler

Model: YE81T-63B

Power System (Motor)

Type:	Y160M-4
Rated Power:	11 kW
Rated Speed:	1460 rpm
Power Spec:	3PH, 50 / 60Hz

Hydraulic System (Pump)

Type:	40YCY14-1B
Rated Displacement:	40 ml/r
Max Operating Pressure:	31.5 MPa

Standard Configuration

#45 Steel Liners 18mm, Wholly Heat Treated;
NOK (JAPAN) Seal Packings for Cylinders;
Cooler / Heater; Magnetic Oil Filter.

System Parameters

Lid Cyl. Force:	24 Ton
Side Pressure Cyl. Force:	50 Ton
Main Pressure Cyl. Force:	63 Ton
Small Door Cyl. Force:	24 Ton
Hydraulic System Pressure:	25 MPa
Idle Cycle Time:	Approx. 90 Sec

Operation System (Optional)

Option 1: Manual Valve Operation
Option 2: PLC Operation

Optional Configuration

Cutting Blades & Teeth (2 sides); Loading Hopper;
Mn65 Steel Liners for High Pressure Chamber;
Diesel / Diesel Generator for Power.

General Description

Main Machine Size (L×W×H):	3300×2500×1800 mm
Press Box Size (L×W×H):	1200×600×550 mm
Bale Size (W×H):	200×200 mm
Bale Weight (Steel):	15-30 kg
Production Rate (Steel):	0.4-0.8 tons/hr
Shipping Weight:	Approx. 5 tons
Loading (Standard Containers):	1×20'GP

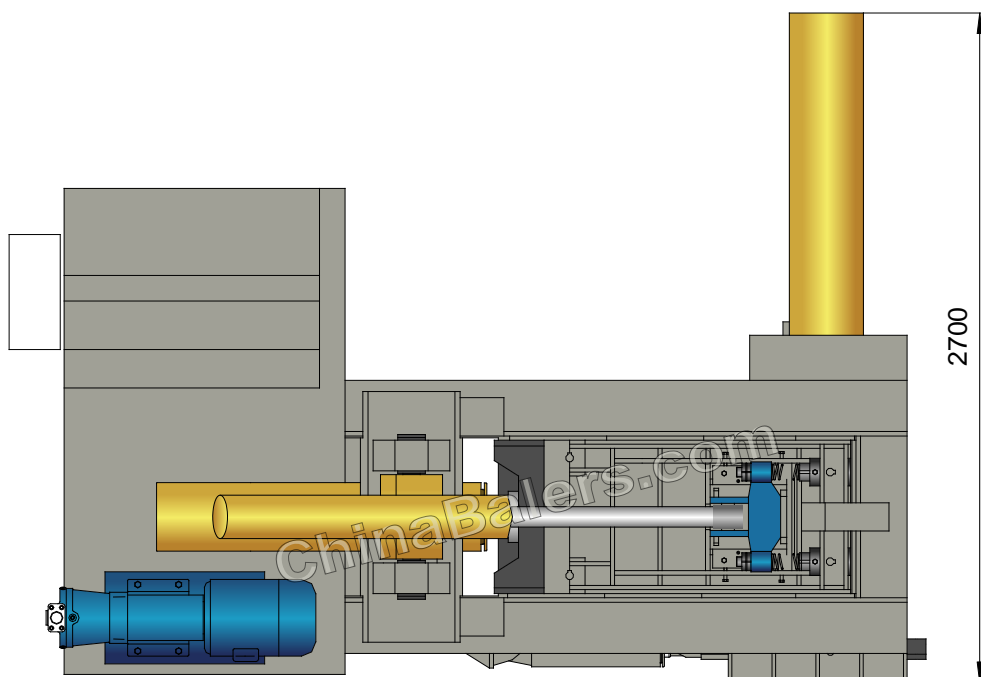
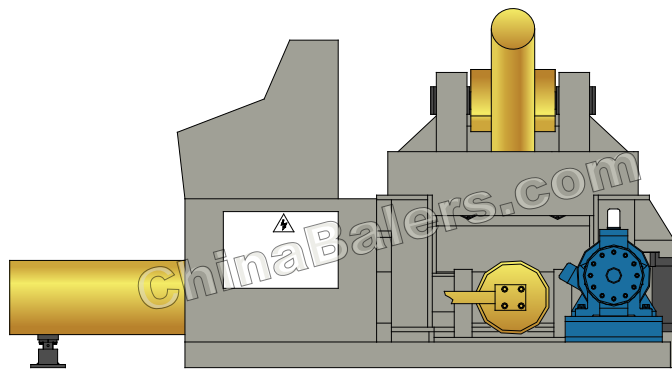
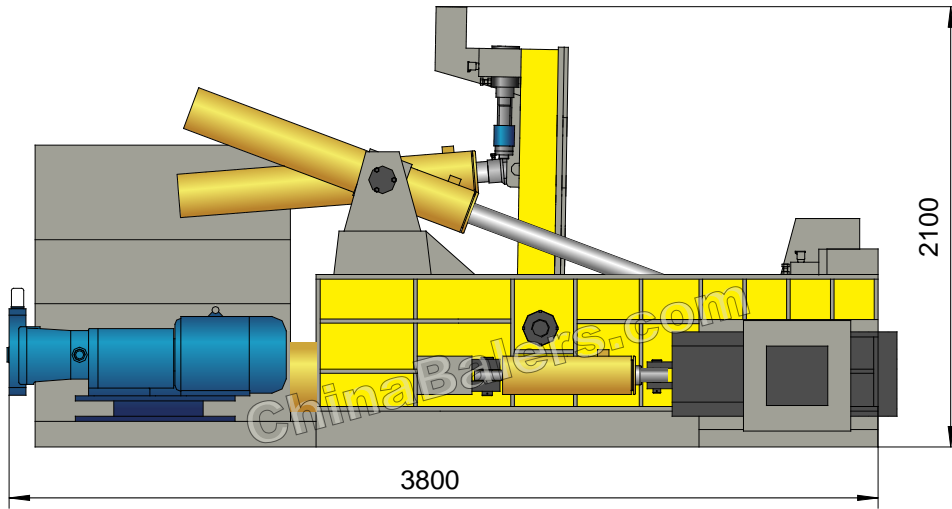
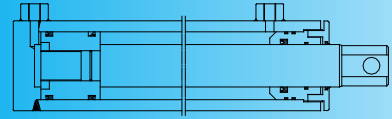
Hydraulic Oil Brand

Oil Tank Volume: 300 ltr

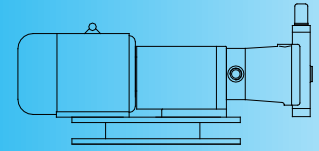
ISO VG	China	U.S.		Britain	France
	GB11118.1	CALTEX CO.	MOBIL	SHELL	ELF CO.
HM 46	46 #	Rando HD46	D.T.E46	Tellus 46	Elfolna 46
HM 68	68 #	Rando HD68	D.T.E68	Tellus 68	Elfolna 68

Above information are indicative not engaging. Rights reserved for change if necessary.

YE81T-100C



YE81T-100C



"Push-out" Type Metal Baler

Model: YE81T-100C

Power System (Motor)

Type:	Y180L-6
Rated Power:	15 kW
Rated Speed:	970 rpm
Power Spec:	3PH, 50 / 60Hz

Hydraulic System (Pump)

Type:	63YCY14-1B
Rated Displacement:	63 ml/r
Max Operating Pressure:	31.5 MPa

Standard Configuration

#45 Steel Liners 18mm, Wholly Heat Treated;
NOK (JAPAN) Seal Packings for Cylinders;
Cooler / Heater; Magnetic Oil Filter.

General Description

Main Machine Size (L×W×H):	3800×2700×2100 mm
Press Box Size (L×W×H):	1300×600×600 mm
Bale Size (W×H):	300×300 mm
Bale Weight (Steel):	40-50 kg
Production Rate (Steel):	1.0-1.2 tons/hr
Shipping Weight:	Approx. 6.2 tons
Loading (Standard Containers):	1×20'GP

System Parameters

Lid Cyl. Force:	32 Ton
Side Pressure Cyl. Force:	80 Ton
Main Pressure Cyl. Force:	100 Ton
Small Door Cyl. Force:	32 Ton
Hydraulic System Pressure:	25 MPa
Idle Cycle Time:	Approx. 90 Sec

Operation System (Optional)

Option 1: Manual Valve Operation
Option 2: PLC Operation

Optional Configuration

Cutting Blades & Teeth (2 sides); Loading Hopper;
Mn65 Steel Liners for High Pressure Chamber;
Diesel / Diesel Generator for Power.

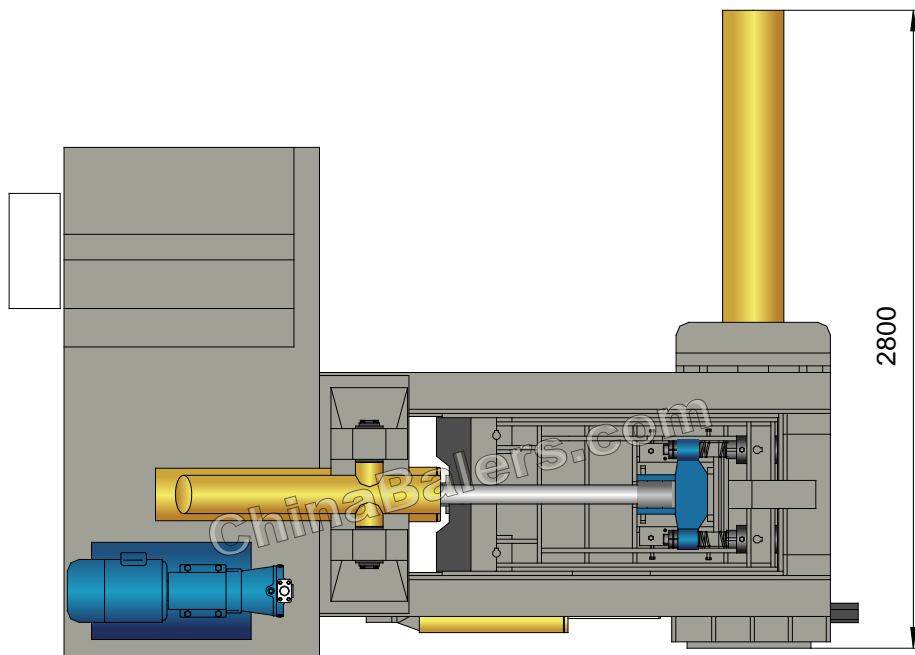
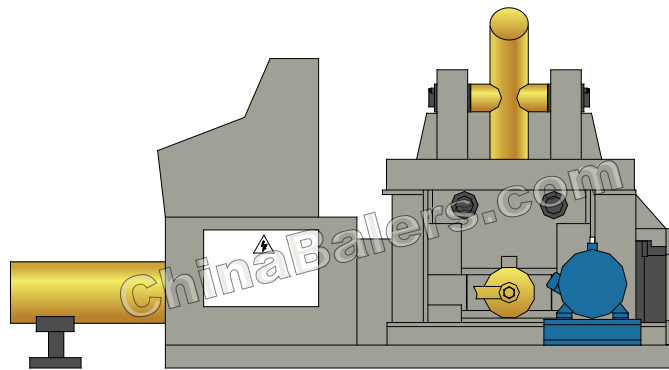
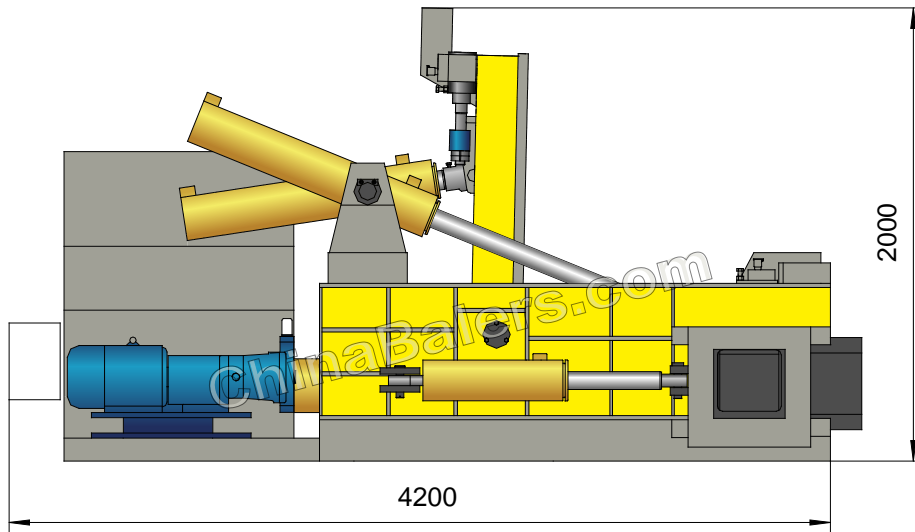
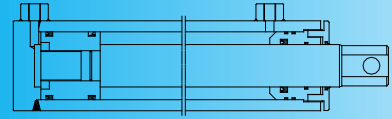
Hydraulic Oil Brand

Oil Tank Volume: 455 ltr

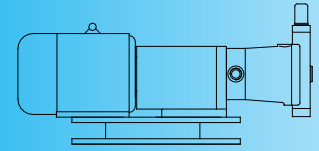
ISO VG	China	U.S.		Britain	France
	GB11118.1	CALTEX CO.	MOBIL	SHELL	ELF CO.
HM 46	46 #	Rando HD46	D.T.E46	Tellus 46	Elfolna 46
HM 68	68 #	Rando HD68	D.T.E68	Tellus 68	Elfolna 68

Above information are indicative not engaging. Rights reserved for change if necessary.

YE81T-125A



YE81T-125A



"Push-out" Type Metal Baler

Model: YE81T-125A

Power System (Motor)

Type:	Y180M-4
Rated Power:	18.5 kW
Rated Speed:	1470 rpm
Power Spec:	3PH, 50 / 60Hz

Hydraulic System (Pump)

Type:	80YCY14-1B
Rated Displacement:	80 ml/r
Max Operating Pressure:	31.5 MPa

Standard Configuration

#45 Steel Liners 18mm, Wholly Heat Treated;
NOK (JAPAN) Seal Packings for Cylinders;
Cooler / Heater; Magnetic Oil Filter.

System Parameters

Lid Cyl. Force:	50 Ton
Side Pressure Cyl. Force:	100 Ton
Main Pressure Cyl. Force:	125 Ton
Small Door Cyl. Force:	32 Ton
Hydraulic System Pressure:	25 MPa
Idle Cycle Time:	Approx. 90 Sec

Operation System (Optional)

Option 1: Manual Valve Operation
Option 2: PLC Operation

Optional Configuration

Cutting Blades & Teeth (2 sides); Loading Hopper;
Mn65 Steel Liners for High Pressure Chamber;
Diesel / Diesel Generator for Power.

General Description

Main Machine Size (L×W×H):	4200×2800×2000 mm
Press Box Size (L×W×H):	1200×700×600 mm
Bale Size (W×H):	240×240 mm
Bale Weight (Steel):	40-50 kg
Production Rate (Steel):	1.0-1.2 tons/hr
Shipping Weight:	Approx. 7 tons
Loading (Standard Containers):	1×20'GP

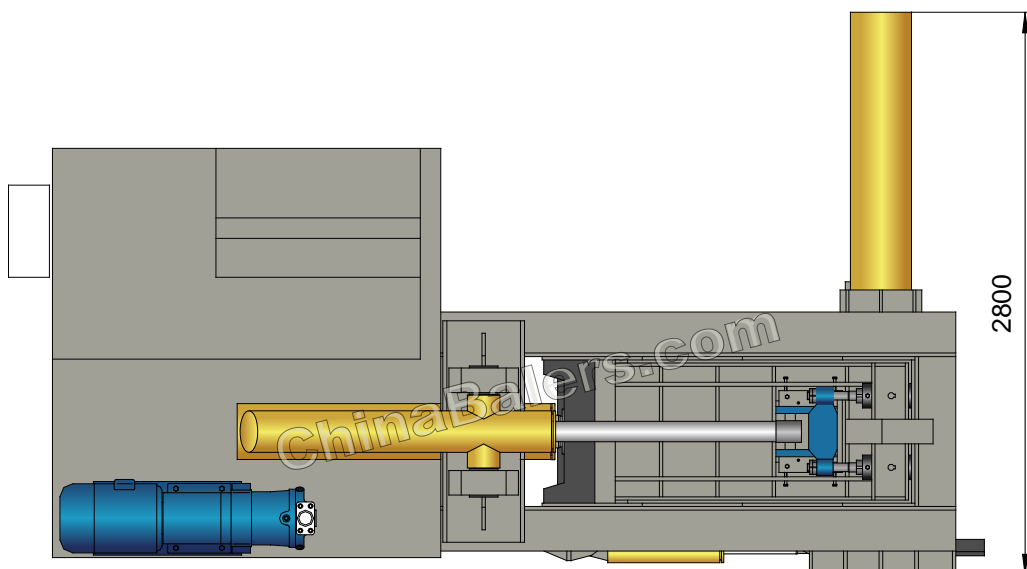
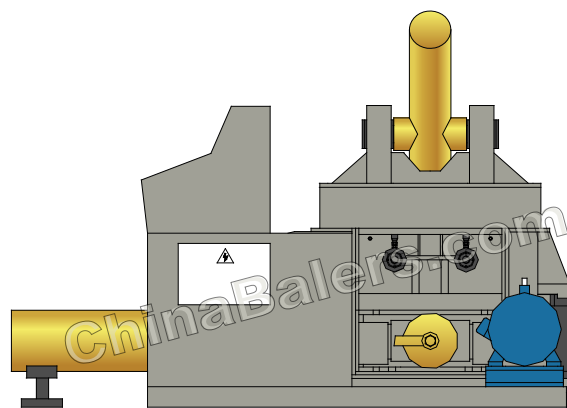
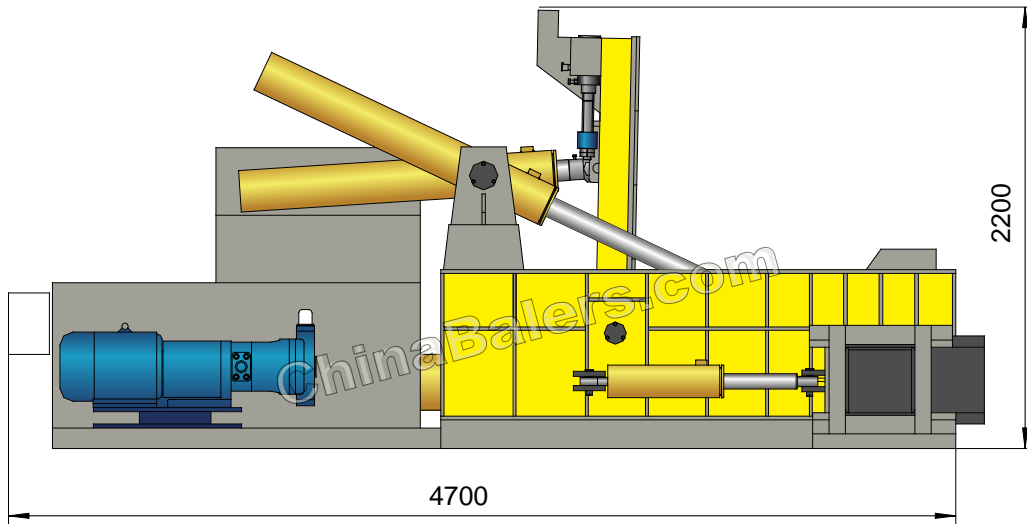
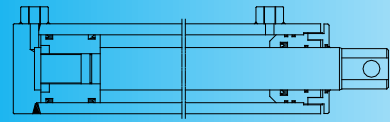
Hydraulic Oil Brand

Oil Tank Volume: 600 ltr

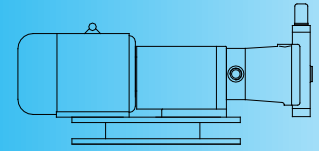
ISO VG	China	U.S.		Britain	France
	GB11118.1	CALTEX CO.	MOBIL	SHELL	ELF CO.
HM 46	46 #	Rando HD46	D.T.E46	Tellus 46	Elfolna 46
HM 68	68 #	Rando HD68	D.T.E68	Tellus 68	Elfolna 68

Above information are indicative not engaging. Rights reserved for change if necessary.

YE81T-125B



YE81T-125B



"Push-out" Type Metal Baler

Model: YE81T-125B

Power System (Motor)

Type:	Y180M-4 / Y200L2-6
Rated Power:	18.5 / 22 kW
Rated Speed:	1470 / 970 rpm
Power Spec:	3PH, 50 / 60Hz

Hydraulic System (Pump)

Type:	80YCY / 160YCY
Rated Displacement:	80 / 160 ml/r
Max Operating Pressure:	31.5 MPa

Standard Configuration

#45 Steel Liners 18mm, Wholly Heat Treated;
NOK (JAPAN) Seal Packings for Cylinders;
Cooler / Heater; Magnetic Oil Filter.

System Parameters

Lid Cyl. Force:	50 Ton
Side Pressure Cyl. Force:	100 Ton
Main Pressure Cyl. Force:	125 Ton
Small Door Cyl. Force:	32 Ton
Hydraulic System Pressure:	25 MPa
Idle Cycle Time:	Approx. 100 / 80 Sec

Operation System (Optional)

Option 1: Manual Valve Operation
Option 2: PLC Operation

Optional Configuration

Cutting Blades & Teeth (2 sides); Loading Hopper;
Mn65 Steel Liners for High Pressure Chamber;
Diesel / Diesel Generator for Power.

General Description

Main Machine Size (L×W×H):	4700×2800×2200 mm
Press Box Size (L×W×H):	1400×700×700 mm
Bale Size (W×H):	300×300 mm
Bale Weight (Steel):	60-90 kg
Production Rate (Steel):	1.5-2.0 tons/hr
Shipping Weight:	Approx. 8 tons
Loading (Standard Containers):	1×20'GP

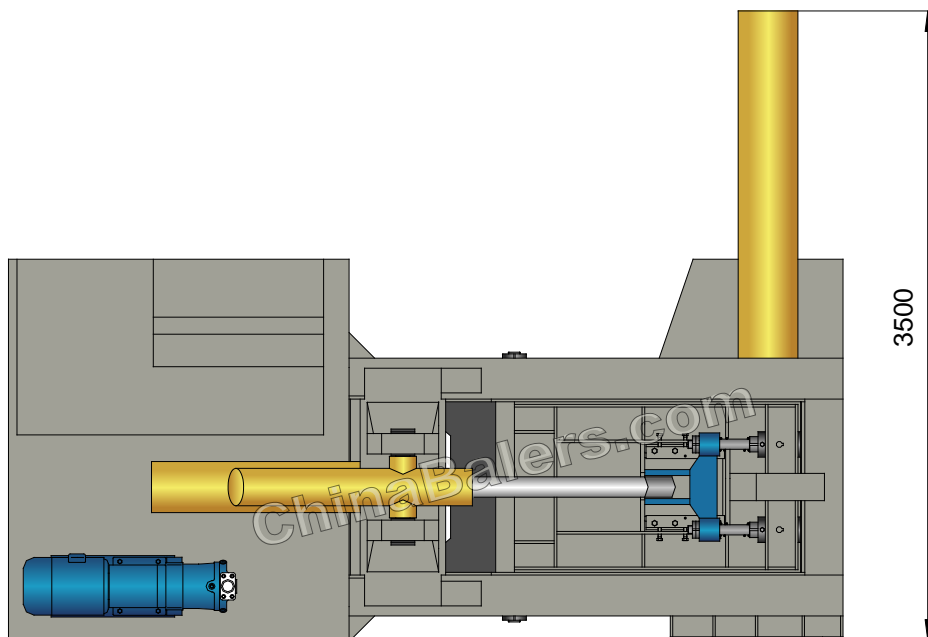
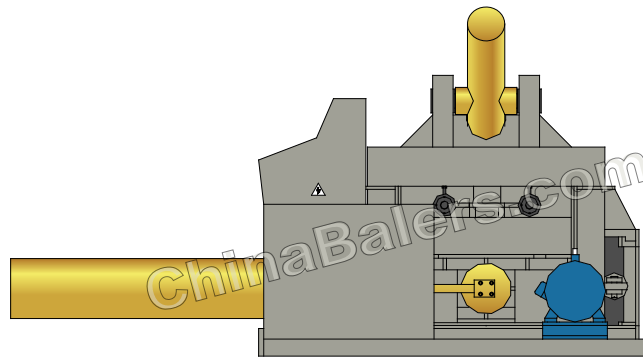
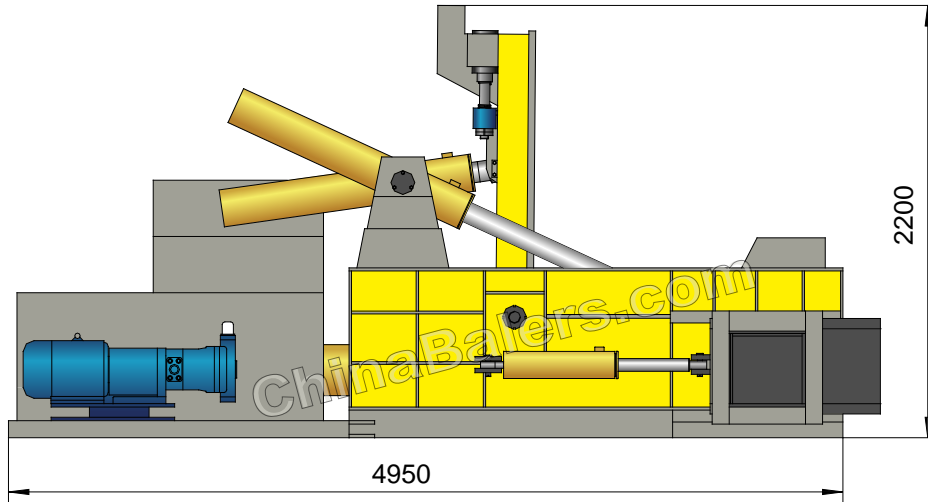
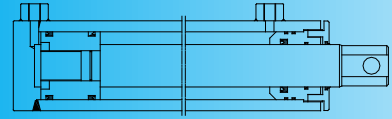
Hydraulic Oil Brand

Oil Tank Volume: 1200 ltr

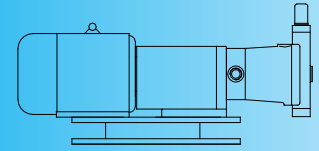
ISO VG	China	U.S.		Britain	France
	GB11118.1	CALTEX CO.	MOBIL	SHELL	ELF CO.
HM 46	46 #	Rando HD46	D.T.E46	Tellus 46	Elfolna 46
HM 68	68 #	Rando HD68	D.T.E68	Tellus 68	Elfolna 68

Above information are indicative not engaging. Rights reserved for change if necessary.

YE81T-125D



YE81T-125D



"Push-out" Type Metal Baler

Model: YE81T-125D

Power System (Motor)

Type:	Y280S-6 / Y200L2-6
Rated Power:	45 kW / 22 kW
Rated Speed:	980 / 970 rpm
Power Spec:	3PH, 50 / 60Hz

Hydraulic System (Pump)

Type:	250YCY / 160YCY
Rated Displacement:	250 / 160 ml/r
Max Operating Pressure:	31.5 MPa

Standard Configuration

#45 Steel Liners 18mm, Wholly Heat Treated;
NOK (JAPAN) Seal Packings for Cylinders;
Cooler / Heater; Magnetic Oil Filter.

System Parameters

Lid Cyl. Force:	50 Ton
Side Pressure Cyl. Force:	2×63 Ton
Main Pressure Cyl. Force:	125 Ton
Small Door Cyl. Force:	32 Ton
Hydraulic System Pressure:	25 MPa
Idle Cycle Time:	Approx. 70 Sec

Operation System (Optional)

Option 1: Manual Valve Operation
Option 2: PLC Operation

Optional Configuration

Cutting Blades & Teeth (2 sides); Loading Hopper;
Mn65 Steel Liners for High Pressure Chamber;
Diesel / Diesel Generator for Power.

General Description

Main Machine Size (L×W×H):	4950×3500×2200 mm
Press Box Size (L×W×H):	1400×1000×700 mm
Bale Size (W×H):	300×300 mm
Bale Weight (Steel):	70-100 kg
Production Rate (Steel):	1.5-2.5 tons/hr
Shipping Weight:	Approx. 10.8 tons
Loading (Standard Containers):	1×20'GP

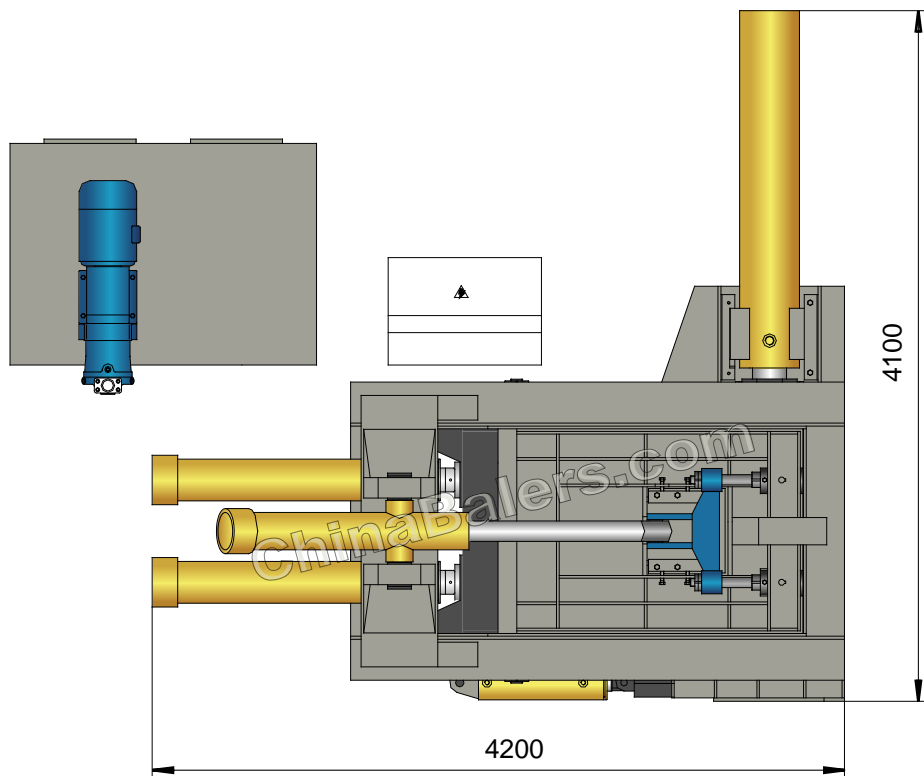
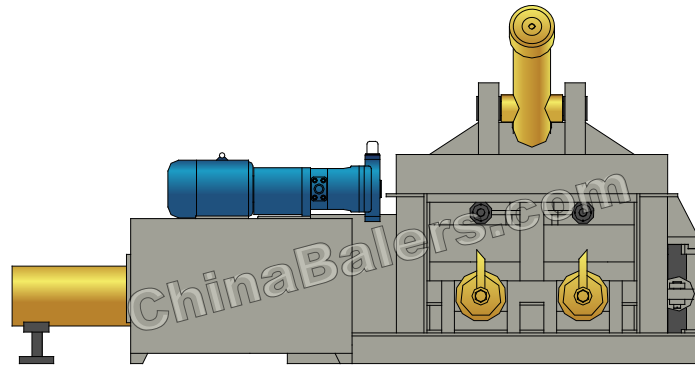
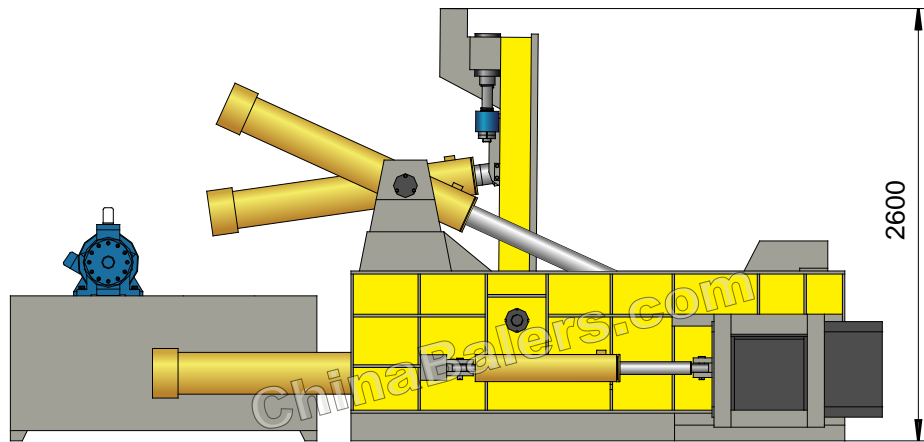
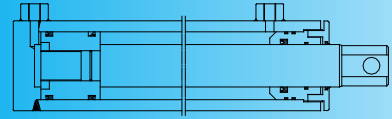
Hydraulic Oil Brand

Oil Tank Volume: 1600 ltr

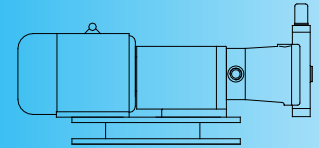
ISO VG	China	U.S.		Britain	France
	GB11118.1	CALTEX CO.	MOBIL	SHELL	ELF CO.
HM 46	46 #	Rando HD46	D.T.E46	Tellus 46	Elfolna 46
HM 68	68 #	Rando HD68	D.T.E68	Tellus 68	Elfolna 68

Above information are indicative not engaging. Rights reserved for change if necessary.

YE81T-125H



YE81T-125H



"Push-out" Type Metal Baler

Model: YE81T-125H

Power System (Motor)

Type:	Y280S-6
Rated Power:	45 kW
Rated Speed:	980 rpm
Power Spec:	3PH, 50 / 60Hz

Hydraulic System (Pump)

Type:	250YCY14-1B
Rated Displacement:	250 ml/r
Max Operating Pressure:	31.5 MPa

Standard Configuration

#45 Steel Liners 18mm, Wholly Heat Treated;
NOK (JAPAN) Seal Packings for Cylinders;
Cooler / Heater; Magnetic Oil Filter.

General Description

Main Machine Size (L×W×H):	4200×4100×2600 mm
Press Box Size (L×W×H):	1600×1200×800 mm
Bale Size (W×H):	300×300 mm
Bale Weight (Steel):	90-120 kg
Production Rate (Steel):	1.8-2.8 tons/hr
Shipping Weight:	Approx. 14 tons
Loading (Standard Containers):	1×20'OT (Without Hopper)

System Parameters

Lid Cyl. Force:	63 Ton
Side Pressure Cyl. Force:	2×63 Ton
Main Pressure Cyl. Force:	125 Ton
Small Door Cyl. Force:	32 Ton
Hydraulic System Pressure:	25 MPa
Idle Cycle Time:	Approx. 85 Sec

Operation System (Optional)

Option 1: Manual Valve Operation
Option 2: PLC Operation

Optional Configuration

Cutting Blades & Teeth (2 sides); Loading Hopper;
Mn65 Steel Liners for High Pressure Chamber;
Diesel / Diesel Generator for Power.

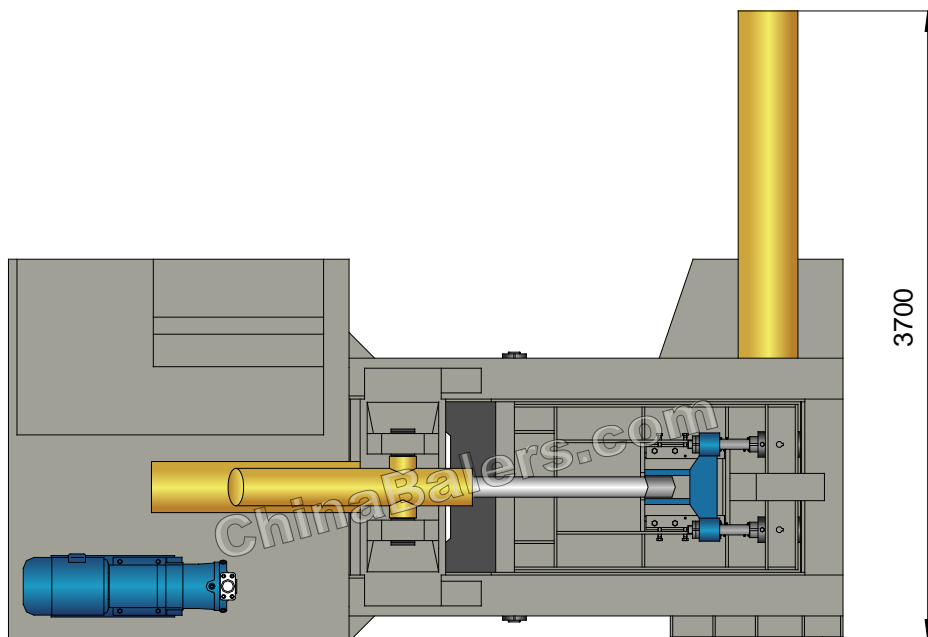
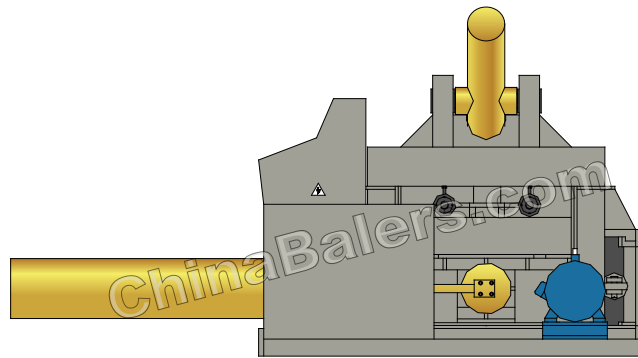
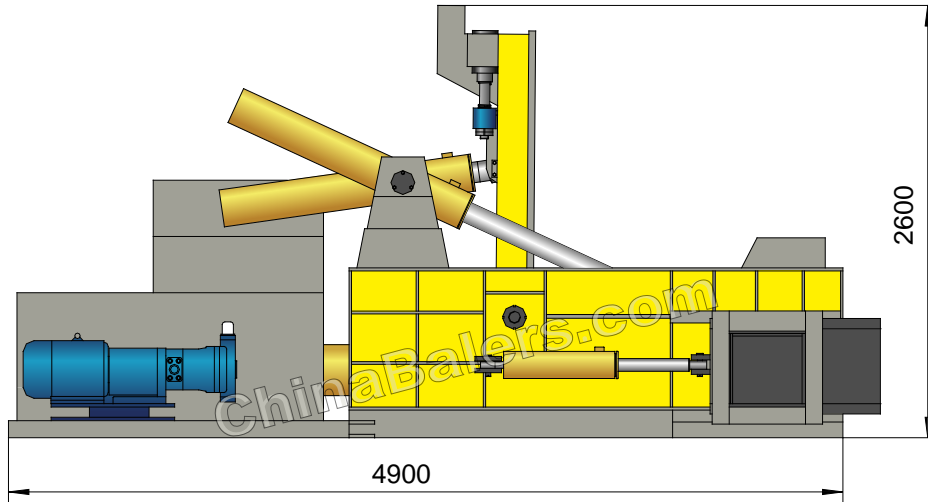
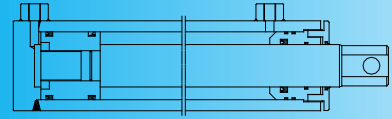
Hydraulic Oil Brand

Oil Tank Volume: 1800 ltr

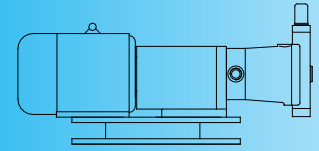
ISO VG	China	U.S.		Britain	France
	GB11118.1	CALTEX CO.	MOBIL	SHELL	ELF CO.
HM 46	46 #	Rando HD46	D.T.E46	Tellus 46	Elfolna 46
HM 68	68 #	Rando HD68	D.T.E68	Tellus 68	Elfolna 68

Above information are indicative not engaging. Rights reserved for change if necessary.

YE81T-160A



YE81T-160A



"Push-out" Type Metal Baler

Model: YE81T-160A

Power System (Motor)

Type:	Y200L2-6
Rated Power:	22 kW
Rated Speed:	970 rpm
Power Spec:	3PH, 50 / 60Hz

Hydraulic System (Pump)

Type:	160YCY14-1B
Rated Displacement:	160 ml/r
Max Operating Pressure:	31.5 MPa

Standard Configuration

#45 Steel Liners 20mm, Wholly Heat Treated;
NOK (JAPAN) Seal Packings for Cylinders;
Cooler / Heater; Magnetic Oil Filter.

System Parameters

Lid Cyl. Force:	63 Ton
Side Pressure Cyl. Force:	125 Ton
Main Pressure Cyl. Force:	160 Ton
Small Door Cyl. Force:	32 Ton
Hydraulic System Pressure:	25 MPa
Idle Cycle Time:	Approx. 110 Sec

Operation System (Optional)

Option 1: Manual Valve Operation
Option 2: PLC Operation

Optional Configuration

Cutting Blades & Teeth (2 sides); Loading Hopper;
Mn65 Steel Liners for High Pressure Chamber;
Diesel / Diesel Generator for Power.

General Description

Main Machine Size (L×W×H):	4900×3700×2600 mm
Press Box Size (L×W×H):	1600×1000×800 mm
Bale Size (W×H):	350×350 / 400×400 mm
Bale Weight (Steel):	100-180 kg
Production Rate (Steel):	2.0-3.5 tons/hr
Shipping Weight:	Approx. 12 tons
Loading (Standard Containers):	1×20'GP (Without Hopper)

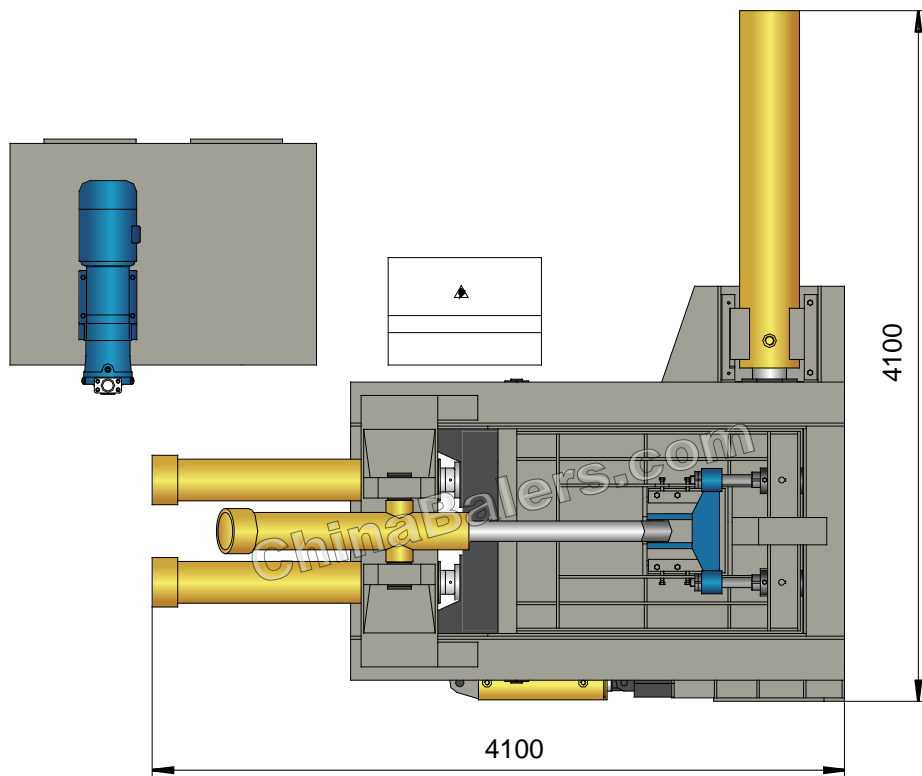
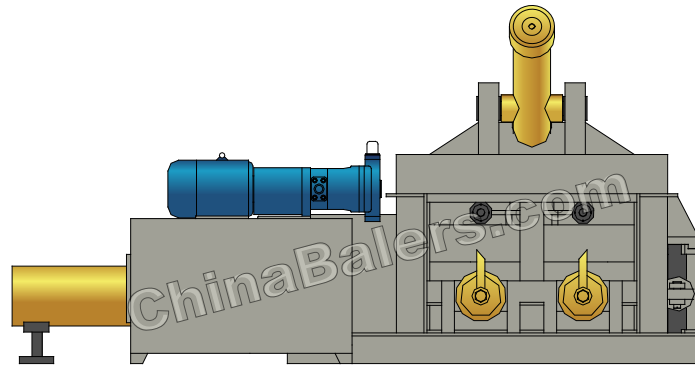
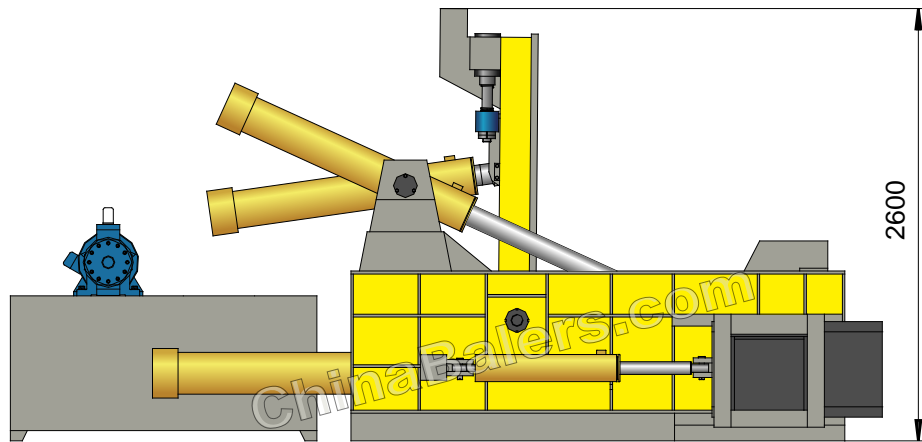
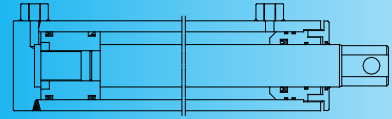
Hydraulic Oil Brand

Oil Tank Volume: 1600 ltr

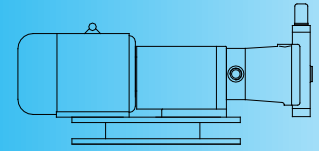
ISO VG	China	U.S.		Britain	France
		GB11118.1	CALTEX CO.	MOBIL	SHELL
HM 46	46 #	Rando HD46	D.T.E46	Tellus 46	Elfolna 46
HM 68	68 #	Rando HD68	D.T.E68	Tellus 68	Elfolna 68

Above information are indicative not engaging. Rights reserved for change if necessary.

YE81T-160B



YE81T-160B



"Push-out" Type Metal Baler

Model: YE81T-160B

Power System (Motor)

Type:	Y280S-6
Rated Power:	45 kW
Rated Speed:	980 rpm
Power Spec:	3PH, 50 / 60Hz

Hydraulic System (Pump)

Type:	250YCY14-1B
Rated Displacement:	250 ml/r
Max Operating Pressure:	31.5 MPa

Standard Configuration

#45 Steel Liners 20mm, Wholly Heat Treated;
NOK (JAPAN) Seal Packings for Cylinders;
Cooler / Heater; Magnetic Oil Filter.

General Description

Main Machine Size (L×W×H):	4100×4100×2600 mm
Press Box Size (L×W×H):	1600×1200×800 mm
Bale Size (W×H):	350×350 / 400×400 mm
Bale Weight (Steel):	100-200 kg
Production Rate (Steel):	2.0-4.0 tons/hr
Shipping Weight:	Approx. 15 tons
Loading (Standard Containers):	1×20'OT (Without Hopper)

System Parameters

Lid Cyl. Force:	63 Ton
Side Pressure Cyl. Force:	2×80 Ton
Main Pressure Cyl. Force:	160 Ton
Small Door Cyl. Force:	32 Ton
Hydraulic System Pressure:	25 MPa
Idle Cycle Time:	Approx. 90 Sec

Operation System (Optional)

Option 1: Manual Valve Operation
Option 2: PLC Operation

Optional Configuration

Cutting Blades & Teeth (2 sides); Loading Hopper;
Mn65 Steel Liners for High Pressure Chamber;
Diesel / Diesel Generator for Power.

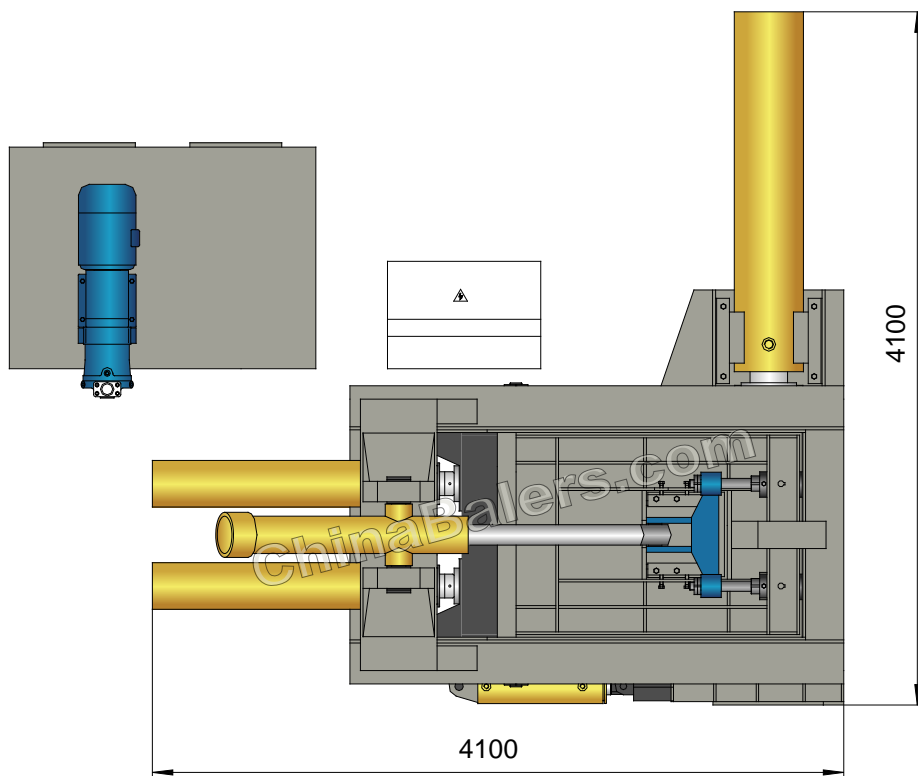
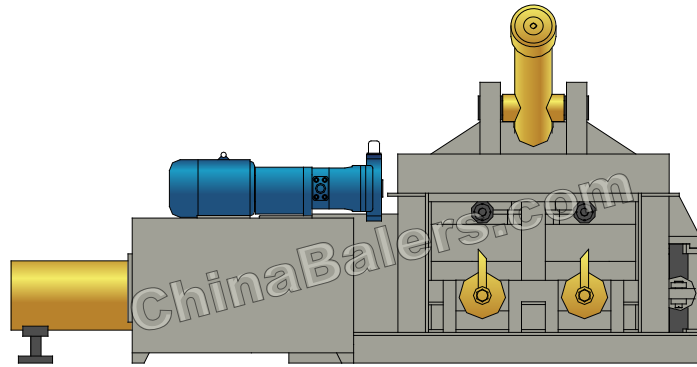
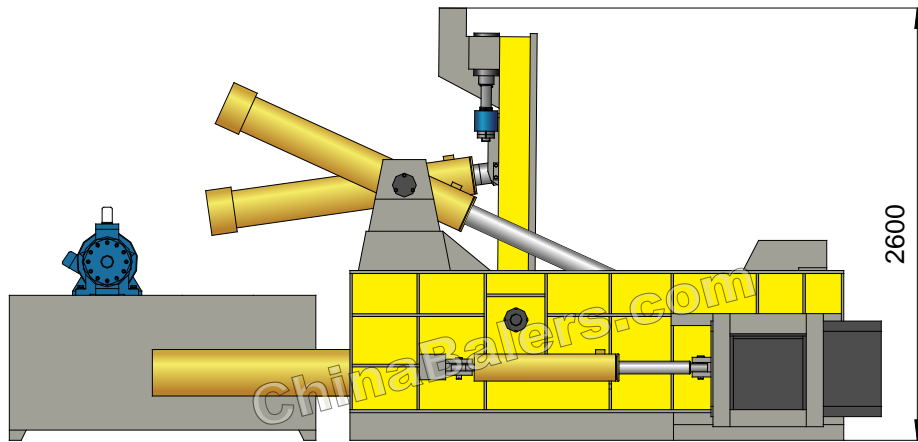
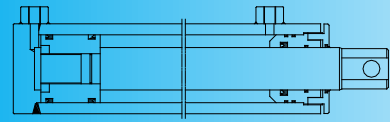
Hydraulic Oil Brand

Oil Tank Volume: 1800 ltr

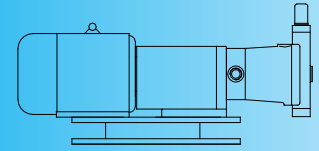
ISO VG	China	U.S.		Britain	France
		GB11118.1	CALTEX CO.	MOBIL	SHELL
HM 46	46 #	Rando HD46	D.T.E46	Tellus 46	Elfolna 46
HM 68	68 #	Rando HD68	D.T.E68	Tellus 68	Elfolna 68

Above information are indicative not engaging. Rights reserved for change if necessary.

YE81T-200B



YE81T-200B



"Push-out" Type Metal Baler

Model: YE81T-200B

Power System (Motor)

Type:	Y280S-6
Rated Power:	45 kW
Rated Speed:	980 rpm
Power Spec:	3PH, 50 / 60Hz

Hydraulic System (Pump)

Type:	250YCY14-1B
Rated Displacement:	250 ml/r
Max Operating Pressure:	31.5 MPa

Standard Configuration

#45 Steel Liners 20mm, Wholly Heat Treated;
NOK (JAPAN) Seal Packings for Cylinders;
Cooler / Heater; Magnetic Oil Filter.

System Parameters

Lid Cyl. Force:	63 Ton
Side Pressure Cyl. Force:	2×100 Ton
Main Pressure Cyl. Force:	200 Ton
Small Door Cyl. Force:	50 Ton
Hydraulic System Pressure:	25 MPa
Idle Cycle Time:	Approx. 100 Sec

Operation System (Optional)

Option 1: Manual Valve Operation
Option 2: PLC Operation

Optional Configuration

Cutting Blades & Teeth (2 sides); Loading Hopper;
Mn65 Steel Liners for High Pressure Chamber;
Diesel / Diesel Generator for Power.

General Description

Main Machine Size (L×W×H):	4100×4100×2600 mm
Press Box Size (L×W×H):	1600×1200×800 mm
Bale Size (W×H):	400×400 mm
Bale Weight (Steel):	120-220 kg
Production Rate (Steel):	2.5-4.5 tons/hr
Shipping Weight:	Approx. 15.2 tons
Loading (Standard Containers):	1×20'OT (Without Hopper)

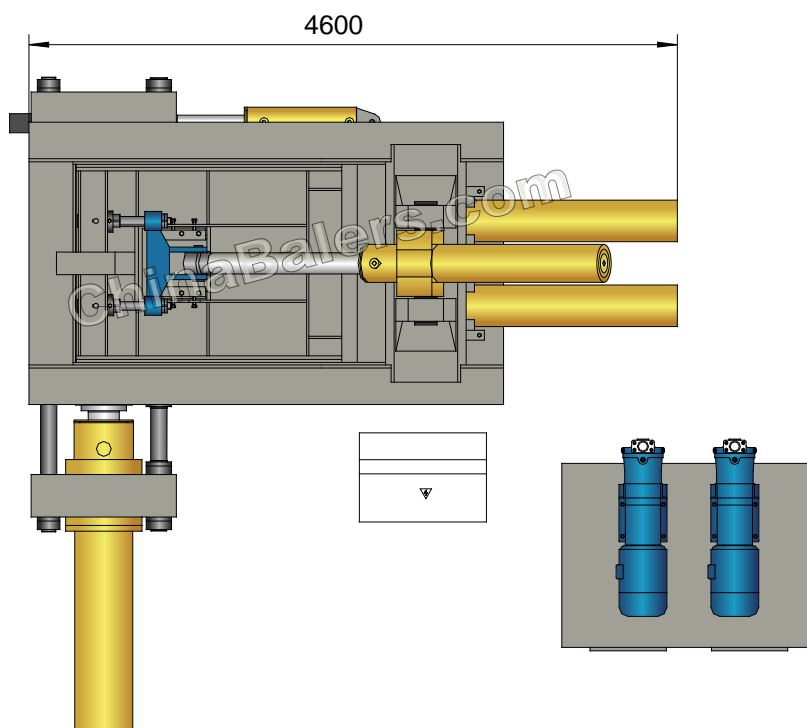
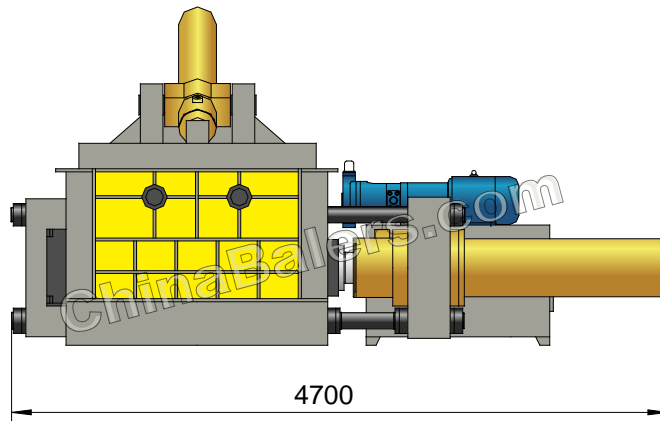
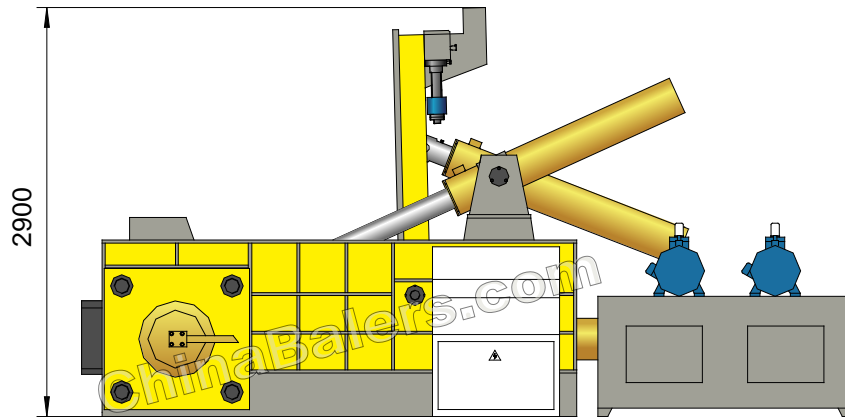
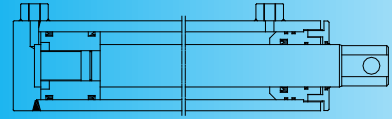
Hydraulic Oil Brand

Oil Tank Volume: 1800 ltr

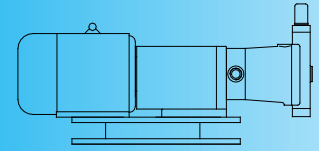
ISO VG	China	U.S.		Britain	France
		GB11118.1	CALTEX CO.	MOBIL	SHELL
HM 46	46 #	Rando HD46	D.T.E46	Tellus 46	Elfolna 46
HM 68	68 #	Rando HD68	D.T.E68	Tellus 68	Elfolna 68

Above information are indicative not engaging. Rights reserved for change if necessary.

YE81T-200C



YE81T-200C



"Push-out" Type Metal Baler

Model: YE81T-200C

Power System (Motor, 2 sets)

Type:	Y200L2-6
Rated Power:	22 kW (/set)
Rated Speed:	970 rpm
Power Spec:	3PH, 50 / 60Hz

Hydraulic System (Pump, 2 sets)

Type:	160YCY14-1B
Rated Displacement:	160 ml/r (/set)
Max Operating Pressure:	31.5 MPa

Standard Configuration

#45 Steel Liners 20mm, Wholly Heat Treated;
NOK (JAPAN) Seal Packings for Cylinders;
Cooler / Heater; Magnetic Oil Filter.

System Parameters

Lid Cyl. Force:	80 Ton
Side Pressure Cyl. Force:	2×100 Ton
Main Pressure Cyl. Force:	200 Ton
Small Door Cyl. Force:	50 Ton
Hydraulic System Pressure:	25 MPa
Idle Cycle Time:	Approx. 110 Sec

Operation System (Optional)

Option 1: Manual Valve Operation
Option 2: PLC Operation

Optional Configuration

Cutting Blades & Teeth (2 sides); Loading Hopper;
Mn65 Steel Liners for High Pressure Chamber;
Diesel / Diesel Generator for Power.

General Description

Main Machine Size (L×W×H):	4600×4700×2900 mm
Press Box Size (L×W×H):	1800×1400×1000 mm
Bale Size (W×H):	400×400 / 450×450 mm
Bale Weight (Steel):	180-350 kg
Production Rate (Steel):	3.5-6.0 tons/hr
Shipping Weight:	Approx. 25 tons
Loading (Standard Containers):	2×20'GP

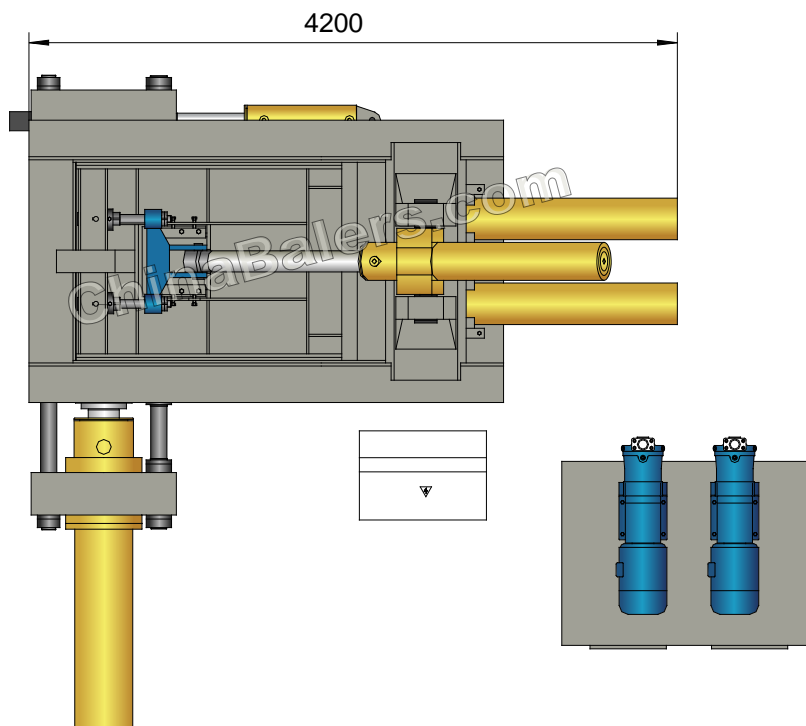
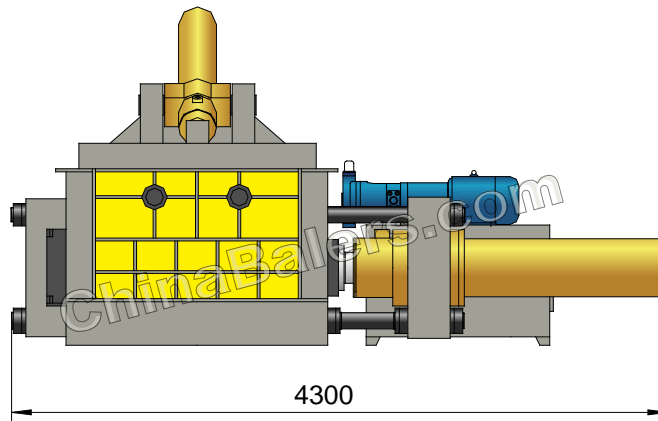
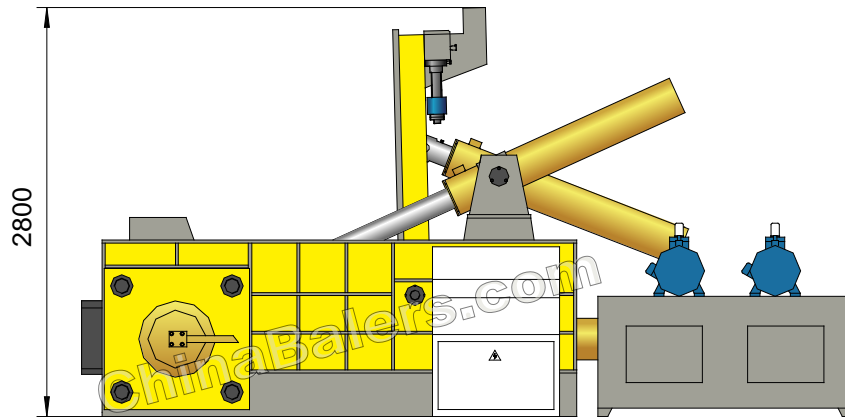
Hydraulic Oil Brand

Oil Tank Volume: 2300 ltr

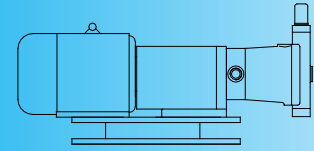
ISO VG	China	U.S.		Britain	France
	GB11118.1	CALTEX CO.	MOBIL	SHELL	ELF CO.
HM 46	46 #	Rando HD46	D.T.E46	Tellus 46	Elfolna 46
HM 68	68 #	Rando HD68	D.T.E68	Tellus 68	Elfolna 68

Above information are indicative not engaging. Rights reserved for change if necessary.

YE81T-200M



YE81T-200M



"Push-out" Type Metal Baler

Model: YE81T-200M

Power System (Motor, 2 sets)

Type:	Y225M-6
Rated Power:	30 kW (/set)
Rated Speed:	980 rpm
Power Spec:	3PH, 50 / 60Hz

Hydraulic System (Pump, 2 sets)

Type:	160YCY14-1B
Rated Displacement:	160 ml/r (/set)
Max Operating Pressure:	31.5 MPa

Standard Configuration

#45 Steel Liners 20mm, Wholly Heat Treated;
NOK (JAPAN) Seal Packings for Cylinders;
Cooler / Heater; Magnetic Oil Filter.

System Parameters

Lid Cyl. Force:	80 Ton
Side Pressure Cyl. Force:	2×100 Ton
Main Pressure Cyl. Force:	200 Ton
Small Door Cyl. Force:	55 Ton
Hydraulic System Pressure:	25 MPa
Idle Cycle Time:	Approx. 100 Sec

Operation System (Optional)

Option 1: Manual Valve Operation
Option 2: PLC Operation

Optional Configuration

Cutting Blades & Teeth (2 sides); Loading Hopper;
Mn65 Steel Liners for High Pressure Chamber;
Diesel / Diesel Generator for Power.

General Description

Main Machine Size (L×W×H):	4200×4300×2800 mm
Press Box Size (L×W×H):	1600×1200×1000 mm
Bale Size (W×H):	400×500 mm
Bale Weight (Steel):	150-280 kg
Production Rate (Steel):	3.0-5.5 tons/hr
Shipping Weight:	Approx. 21 tons
Loading (Standard Containers):	2×20'GP

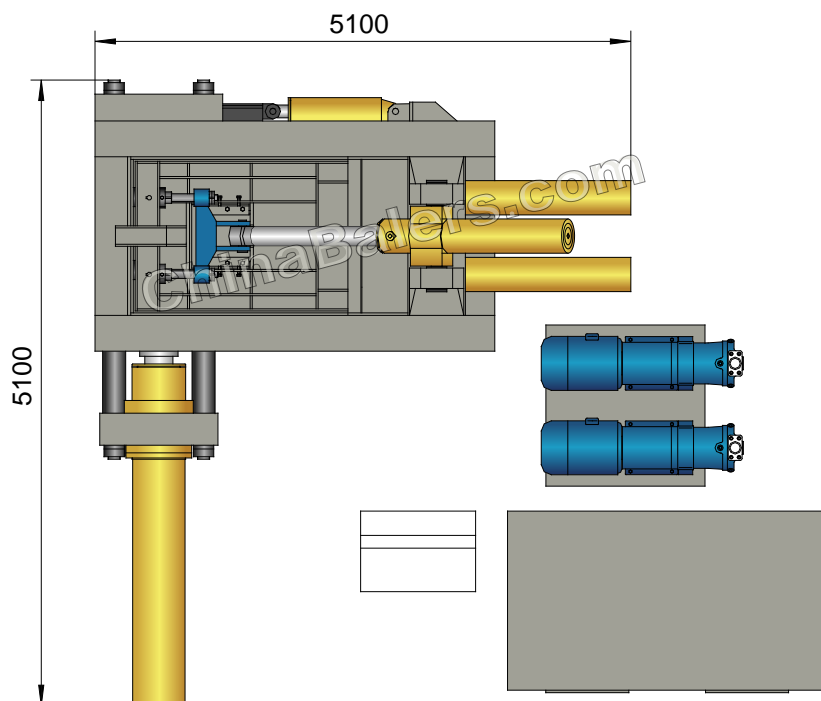
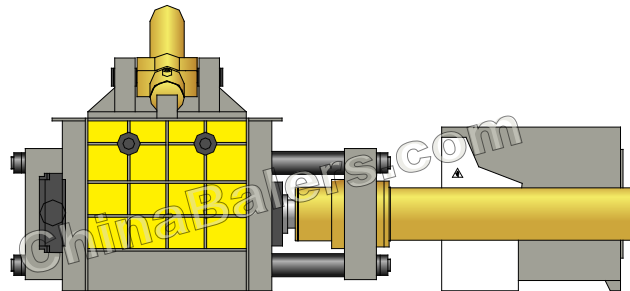
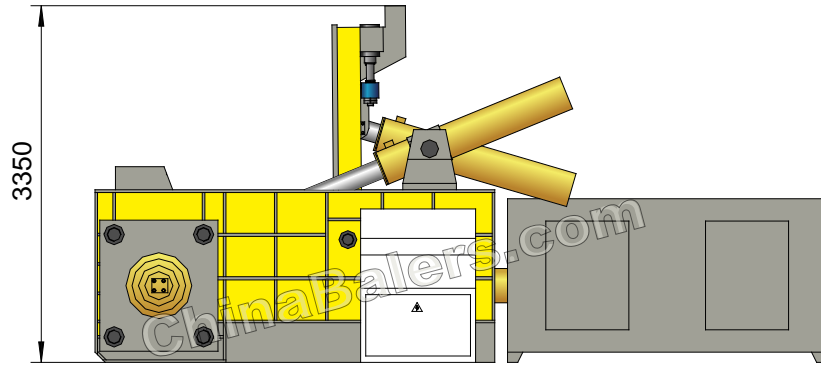
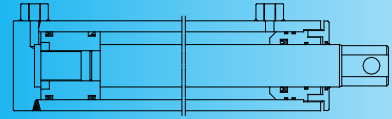
Hydraulic Oil Brand

Oil Tank Volume: 2300 ltr

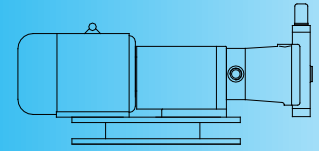
ISO VG	China	U.S.		Britain	France
	GB11118.1	CALTEX CO.	MOBIL	SHELL	ELF CO.
HM 46	46 #	Rando HD46	D.T.E46	Tellus 46	Elfolna 46
HM 68	68 #	Rando HD68	D.T.E68	Tellus 68	Elfolna 68

Above information are indicative not engaging. Rights reserved for change if necessary.

YE81T-250C



YE81T-250C



"Push-out" Type Metal Baler

Model: YE81T-250C

Power System (Motor, 2 sets)

Type:	Y200L-4
Rated Power:	30 kW (/set)
Rated Speed:	1470 rpm
Power Spec:	3PH, 50 / 60Hz

Hydraulic System (Pump, 2 sets)

Type:	HY125
Rated Displacement:	125 ml/r (/set)
Max Operating Pressure:	31.5 MPa

Standard Configuration

#45 Steel Liners 20mm, Wholly Heat Treated;
NOK (JAPAN) Seal Packings for Cylinders;
Cooler / Heater; Magnetic Oil Filter.

General Description

Main Machine Size (L×W×H):	5100×5100×3350 mm
Press Box Size (L×W×H):	2000×1400×1200 mm
Bale Size (W×H):	450×450 / 500×500 mm
Bale Weight (Steel):	250-450 kg
Production Rate (Steel):	4.5-7.0 tons/hr
Shipping Weight:	Approx. 28 tons
Loading (Standard Containers):	3×20'GP

System Parameters

Lid Cyl. Force:	80 Ton
Side Pressure Cyl. Force:	2×120 Ton
Main Pressure Cyl. Force:	250 Ton
Small Door Cyl. Force:	50 Ton
Hydraulic System Pressure:	25 MPa
Idle Cycle Time:	Approx. 120 Sec

Operation System (Optional)

Option 1: Manual Valve Operation
Option 2: PLC Operation

Optional Configuration

Cutting Blades & Teeth (2 sides); Loading Hopper;
Mn65 Steel Liners for High Pressure Chamber;
Diesel / Diesel Generator for Power.

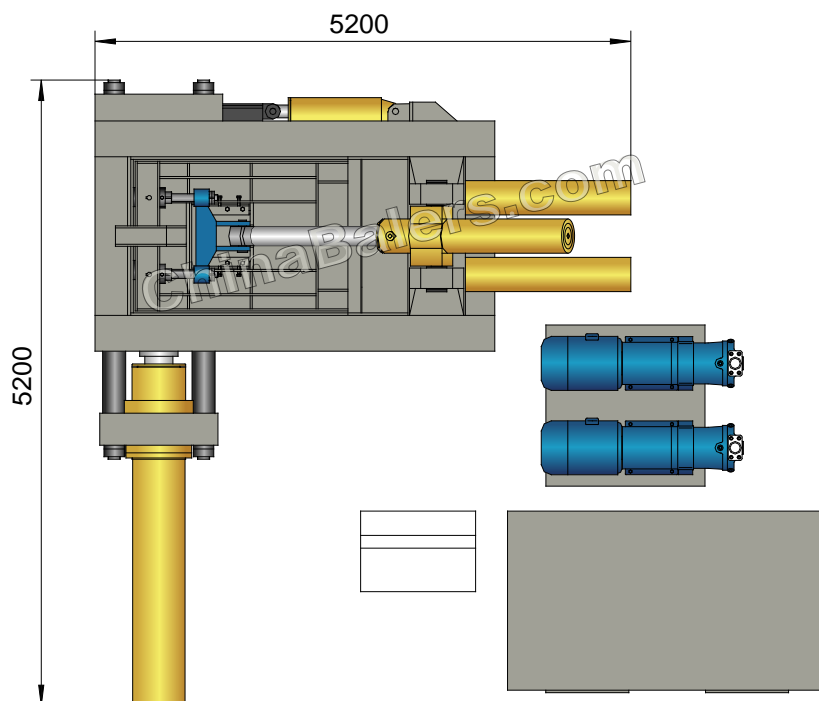
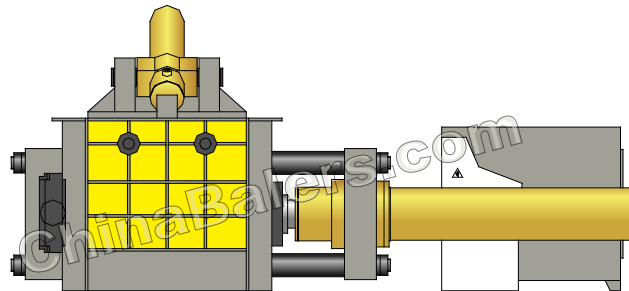
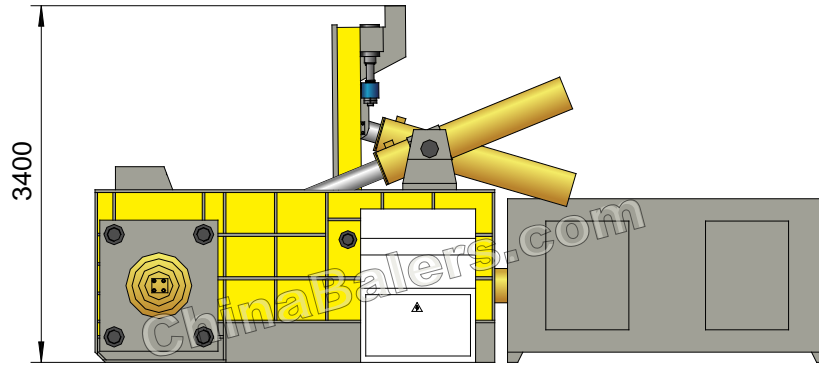
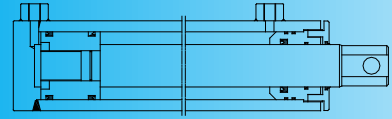
Hydraulic Oil Brand

Oil Tank Volume: 2800 ltr

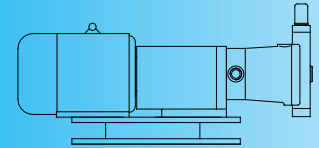
ISO VG	China	U.S.		Britain	France
	GB11118.1	CALTEX CO.	MOBIL	SHELL	ELF CO.
HM 46	46 #	Rando HD46	D.T.E46	Tellus 46	Elfolna 46
HM 68	68 #	Rando HD68	D.T.E68	Tellus 68	Elfolna 68

Above information are indicative not engaging. Rights reserved for change if necessary.

YE81T-315A



YE81T-315A



"Push-out" Type Metal Baler

Model: YE81T-315A

Power System (Motor, 2 sets)

Type:	Y280S-6
Rated Power:	45 kW (/set)
Rated Speed:	980 rpm
Power Spec:	3PH, 50 / 60Hz

System Parameters

Lid Cyl. Force:	120 Ton
Side Pressure Cyl. Force:	2×160 Ton
Main Pressure Cyl. Force:	315 Ton
Small Door Cyl. Force:	55 Ton
Hydraulic System Pressure:	25 MPa
Idle Cycle Time:	Approx. 120 Sec

Hydraulic System (Pump, 2 sets)

Type:	250YCY14-1B
Rated Displacement:	250 ml/r (/set)
Max Operating Pressure:	31.5 MPa

Operation System (Optional)

- Option 1: Manual Valve Operation
- Option 2: PLC Operation

Standard Configuration

#45 Steel Liners 25mm, Wholly Heat Treated;
NOK (JAPAN) Seal Packings for Cylinders;
Cooler / Heater; Magnetic Oil Filter.

Optional Configuration

Cutting Blades & Teeth (2 sides); Loading Hopper;
Mn65 Steel Liners for High Pressure Chamber;
Diesel / Diesel Generator for Power.

General Description

Main Machine Size (L×W×H):	5200×5200×3400 mm
Press Box Size (L×W×H):	2000×1400×1200 mm
Bale Size (W×H):	450×450 mm
Bale Weight (Steel):	250-450 kg
Production Rate (Steel):	5.0-8.0 tons/hr
Shipping Weight:	Approx. 35 tons
Loading (Standard Containers):	3×20'GP

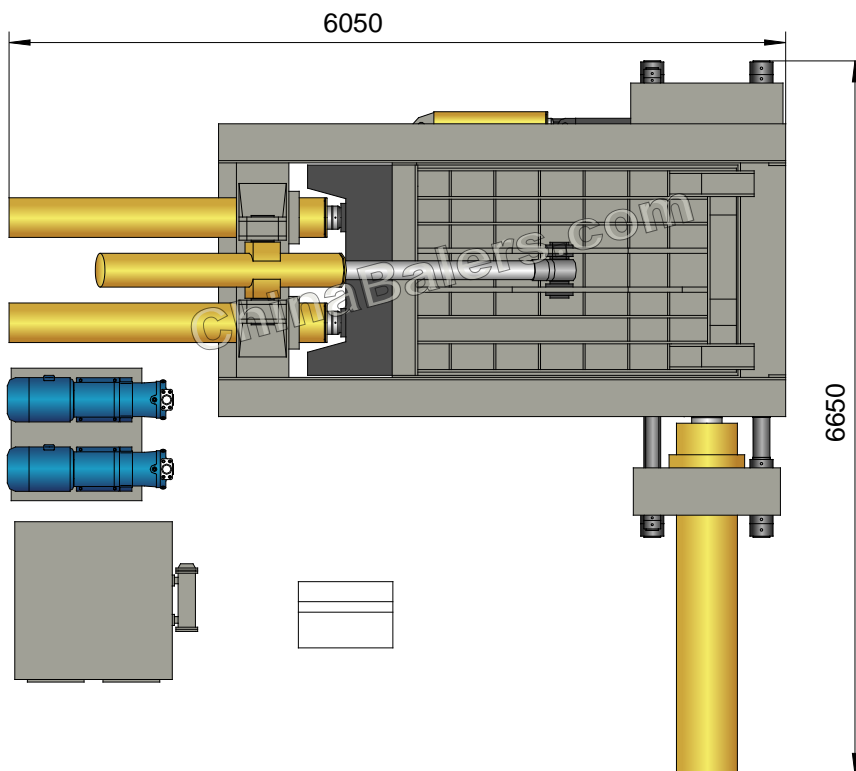
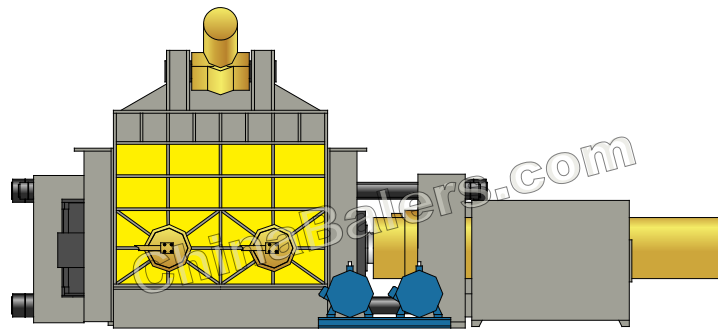
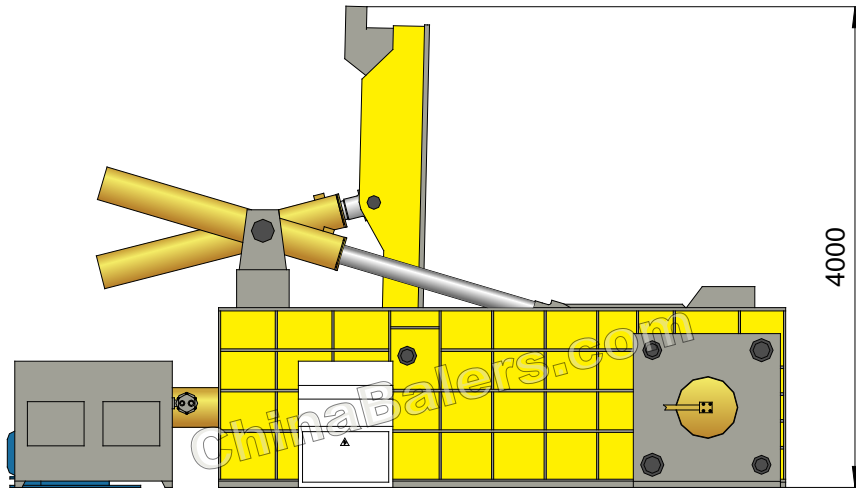
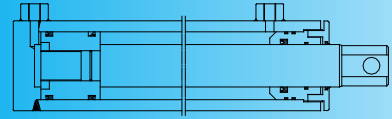
Hydraulic Oil Brand

Oil Tank Volume: 2800 ltr

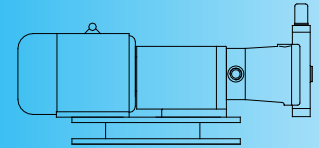
ISO VG	China	U.S.		Britain	France
	GB11118.1	CALTEX CO.	MOBIL	SHELL	ELF CO.
HM 46	46 #	Rando HD46	D.T.E46	Tellus 46	Elfolna 46
HM 68	68 #	Rando HD68	D.T.E68	Tellus 68	Elfolna 68

Above information are indicative not engaging. Rights reserved for change if necessary.

Y81T-315B



Y81T-315B



"Push-out" Type Metal Baler

Model: Y81T-315B

Power System (Motor, 2 sets)

Type:	Y280S-6
Rated Power:	45 kW (/set)
Rated Speed:	980 rpm
Power Spec:	3PH, 50 / 60Hz

Hydraulic System (Pump, 2 sets)

Type:	250YCY14-1B
Rated Displacement:	250 ml/r (/set)
Max Operating Pressure:	31.5 MPa

Operation System (Optional)

- Option 1: Manual Valve Operation
- Option 2: PLC Operation

System Parameters

Lid Cyl. Force:	120 Ton
Side Pressure Cyl. Force:	2×160 Ton
Main Pressure Cyl. Force:	315 Ton
Small Door Cyl. Force:	55 Ton
Hydraulic System Pressure:	25 MPa
Idle Cycle Time:	Approx. 180 Sec

Standard Configuration

A3 Steel Liners, Surface Heat Treatment.

Optional Configuration

- Cutting Blades & Teeth (2 sides);
- Loading Hopper; Cooler / Heater;
- Diesel / Diesel Generator for Power.

General Description

Main Machine Size (L×W×H):	6050×6650×4000 mm
Press Box Size (L×W×H):	2500×2000×1200 mm
Bale Size (W×H):	600×600 mm
Bale Weight (Steel):	400-700 kg
Production Rate (Steel):	6.0-10.0 tons/hr
Shipping Weight:	Approx. 50 tons
Loading (Standard Containers):	

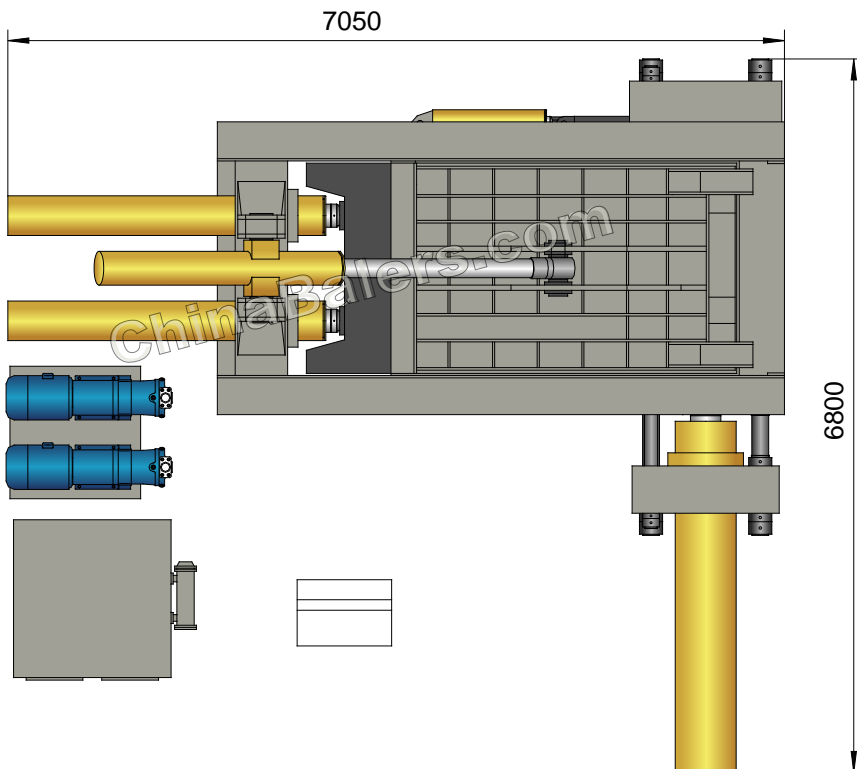
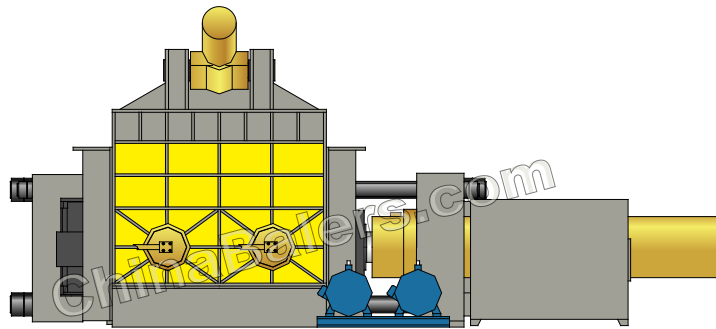
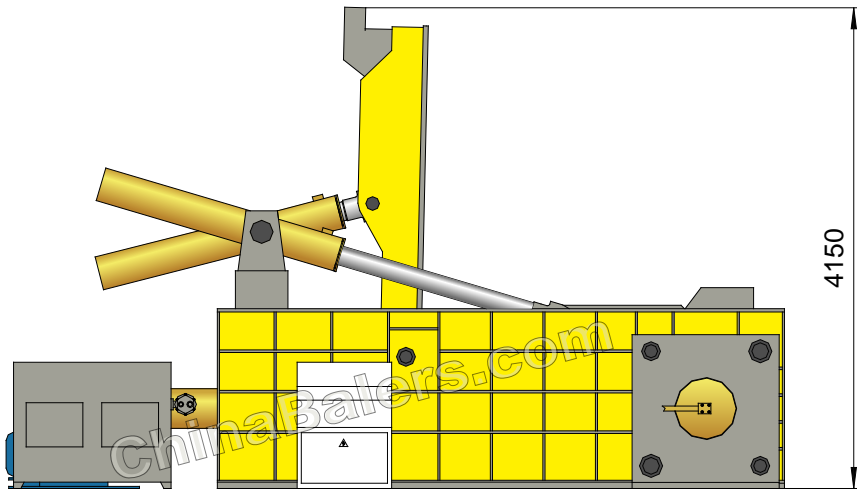
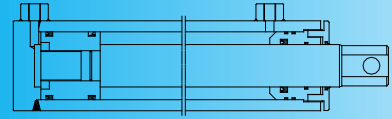
Hydraulic Oil Brand

Oil Tank Volume: 2800 ltr

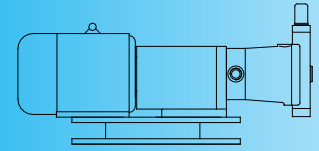
ISO VG	China	U.S.		Britain	France
	GB11118.1	CALTEX CO.	MOBIL	SHELL	ELF CO.
HM 46	46 #	Rando HD46	D.T.E46	Tellus 46	Elfolna 46
HM 68	68 #	Rando HD68	D.T.E68	Tellus 68	Elfolna 68

Above information are indicative not engaging. Rights reserved for change if necessary.

YE81T-315B



YE81T-315B



"Push-out" Type Metal Baler

Model: YE81T-315B

Power System (Motor, 2 sets)

Type:	Y280S-6
Rated Power:	45 kW (/set)
Rated Speed:	980 rpm
Power Spec:	3PH, 50 / 60Hz

Hydraulic System (Pump, 2 sets)

Type:	250YCY14-1B
Rated Displacement:	250 ml/r (/set)
Max Operating Pressure:	31.5 MPa

Standard Configuration

#45 Steel Liners 20mm, Wholly Heat Treated;
NOK (JAPAN) Seal Packings for Cylinders;
Cooler / Heater; Magnetic Oil Filter.

General Description

Main Machine Size (L×W×H):	7050×6800×4150 mm
Press Box Size (L×W×H):	2600×2000×1200 mm
Bale Size (W×H):	500×600 mm
Bale Weight (Steel):	400-700 kg
Production Rate (Steel):	6.0-10.0 tons/hr
Shipping Weight:	Approx. 52 tons
Loading (Standard Containers):	2×20'OT + 1×20'GP

Hydraulic Oil Brand

Oil Tank Volume: 2800 ltr

ISO VG	China	U.S.		Britain	France
	GB11118.1	CALTEX CO.	MOBIL	SHELL	ELF CO.
HM 46	46 #	Rando HD46	D.T.E46	Tellus 46	Elfolna 46
HM 68	68 #	Rando HD68	D.T.E68	Tellus 68	Elfolna 68

System Parameters

Lid Cyl. Force:	100 Ton
Side Pressure Cyl. Force:	2×160 Ton
Main Pressure Cyl. Force:	315 Ton
Small Door Cyl. Force:	63 Ton
Locking Cyl. Force:	2×63 Ton
Hydraulic System Pressure:	25 MPa
Idle Cycle Time:	Approx. 180 Sec

Operation System (Optional)

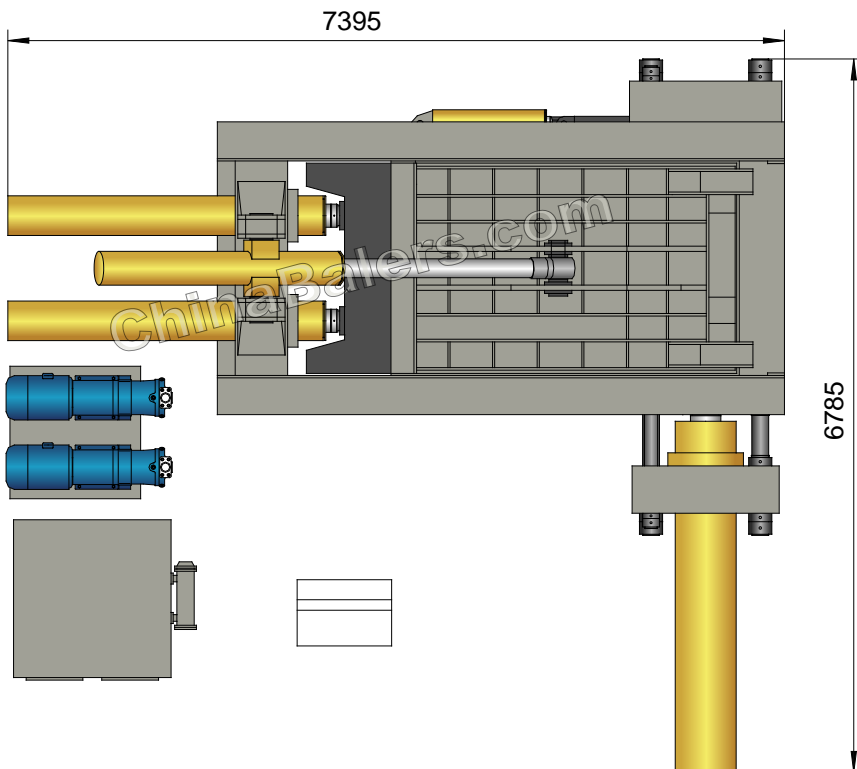
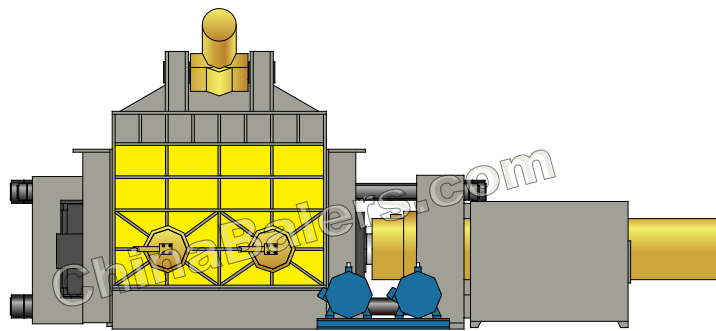
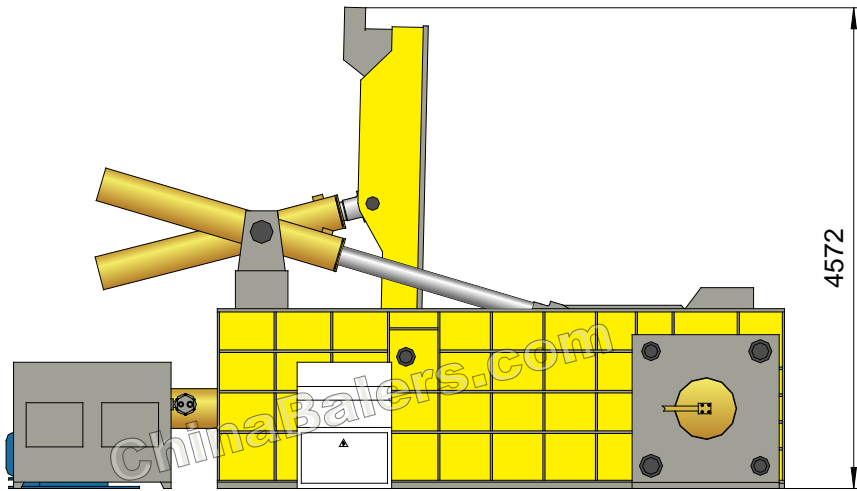
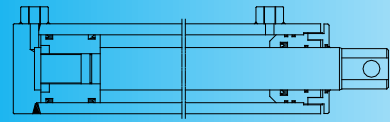
Option 1: Manual Valve Operation
Option 2: PLC Operation

Optional Configuration

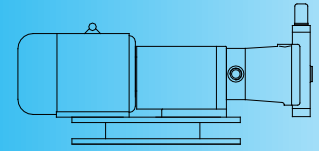
Cutting Blades & Teeth (2 sides); Loading Hopper;
Mn65 Steel Liners for High Pressure Chamber;
Diesel / Diesel Generator for Power.

Above information are indicative not engaging. Rights reserved for change if necessary.

YE81T-400C



YE81T-400C



"Push-out" Type Metal Baler

Model: YE81T-400C

Power System (Motor, 2 sets)

Type:	Y280S-6
Rated Power:	45 kW (/set)
Rated Speed:	980 rpm
Power Spec:	3PH, 50 / 60Hz

Hydraulic System (Pump, 2 sets)

Type:	250YCY14-1B
Rated Displacement:	250 ml/r (/set)
Max Operating Pressure:	31.5 MPa

Standard Configuration

#45 Steel Liners 20mm, Wholly Heat Treated;
NOK (JAPAN) Seal Packings for Cylinders;
Cooler / Heater; Magnetic Oil Filter.

General Description

Main Machine Size (L×W×H):	7395×6785×4572 mm
Press Box Size (L×W×H):	3000×2000×1200 mm
Bale Size (W×H):	600×700 mm
Bale Weight (Steel):	500-800 kg
Production Rate (Steel):	7.0-11.0 tons/hr
Shipping Weight:	Approx. 58 tons
Loading (Standard Containers):	2×20'OT + 2×20'GP

Hydraulic Oil Brand

Oil Tank Volume: 2800 ltr

ISO VG	China	U.S.		Britain	France
	GB11118.1	CALTEX CO.	MOBIL	SHELL	ELF CO.
HM 46	46 #	Rando HD46	D.T.E46	Tellus 46	Elfolna 46
HM 68	68 #	Rando HD68	D.T.E68	Tellus 68	Elfolna 68

System Parameters

Lid Cyl. Force:	120 Ton
Side Pressure Cyl. Force:	2×180 Ton
Main Pressure Cyl. Force:	400 Ton
Small Door Cyl. Force:	80 Ton
Locking Cyl. Force:	2×63 Ton
Hydraulic System Pressure:	25 MPa
Idle Cycle Time:	Approx. 180 Sec

Operation System (Optional)

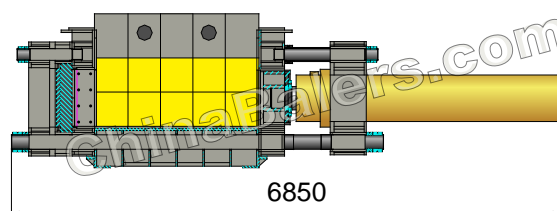
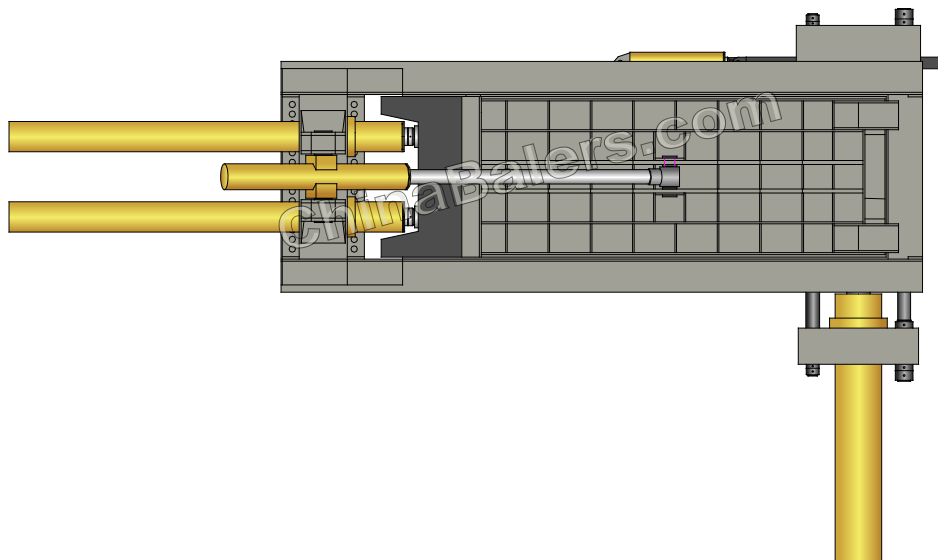
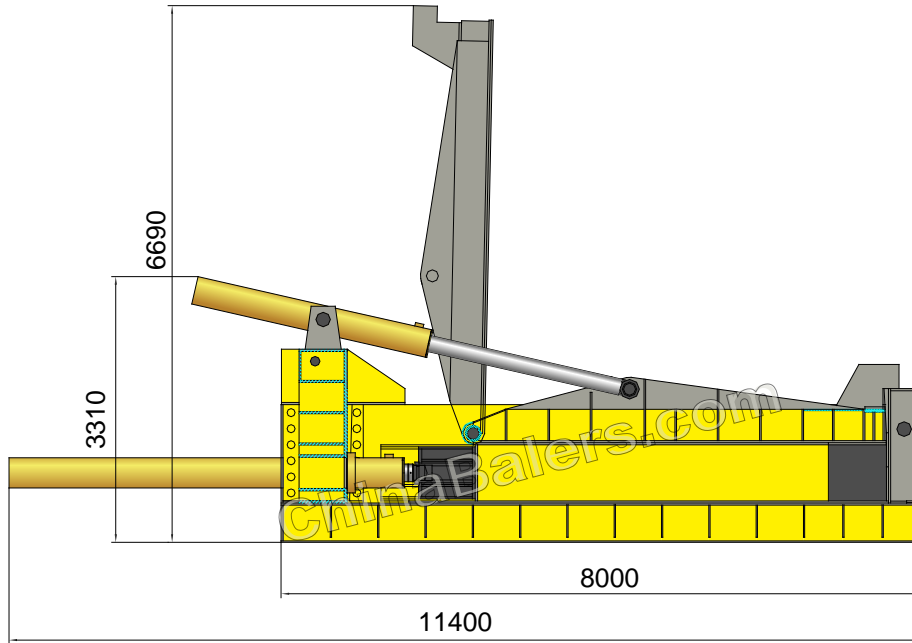
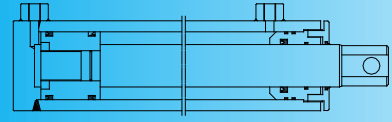
Option 1: Manual Valve Operation
Option 2: PLC Operation

Optional Configuration

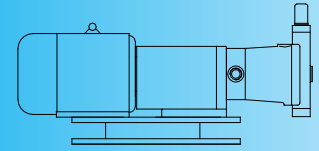
Cutting Blades & Teeth (2 sides); Loading Hopper;
Mn65 Steel Liners for High Pressure Chamber;
Diesel / Diesel Generator for Power.

Above information are indicative not engaging. Rights reserved for change if necessary.

YE81T-400D



YE81T-400D



"Push-out" Type Metal Baler

Model: YE81T-400D

Power System (Motor, 3 sets)

Type:	Y280S-6
Rated Power:	45 kW (/set)
Rated Speed:	980 rpm
Power Spec:	3PH, 50 / 60Hz

Hydraulic System (Pump, 3 sets)

Type:	250YCY
Rated Displacement:	250 ml/r (/set)
Max Operating Pressure:	31.5 MPa

Standard Configuration

#45 Steel Liners 25mm, Wholly Heat Treated;
NOK (JAPAN) Seal Packings for Cylinders;
Cooler / Heater; Magnetic Oil Filter.

General Description

Main Machine Size (L×W×H):	11400×6850×6690 mm
Press Box Size (L×W×H):	5000×2000×1200 mm
Bale Size (W×H):	700×700 mm
Bale Weight (Steel):	600-900 kg
Production Rate (Steel):	8.0-12.0 tons/hr
Shipping Weight:	Approx. 90 tons
Loading (Standard Containers):	2×40'OT + 2×40'ST

System Parameters

Lid Cyl. Force:	160 Ton
Side Pressure Cyl. Force:	2×180 Ton
Main Pressure Cyl. Force:	400 Ton
Small Door Cyl. Force:	80 Ton
Locking Cyl. Force:	2×63 Ton
Hydraulic System Pressure:	25 MPa
Idle Cycle Time:	Approx. 180 Sec

Operation System (Optional)

Option 1: Manual Valve Operation
Option 2: PLC Operation

Optional Configuration

Cutting Blades & Teeth (2 sides); Loading Hopper;
Mn65 Steel Liners for High Pressure Chamber;
Diesel / Diesel Generator for Power.

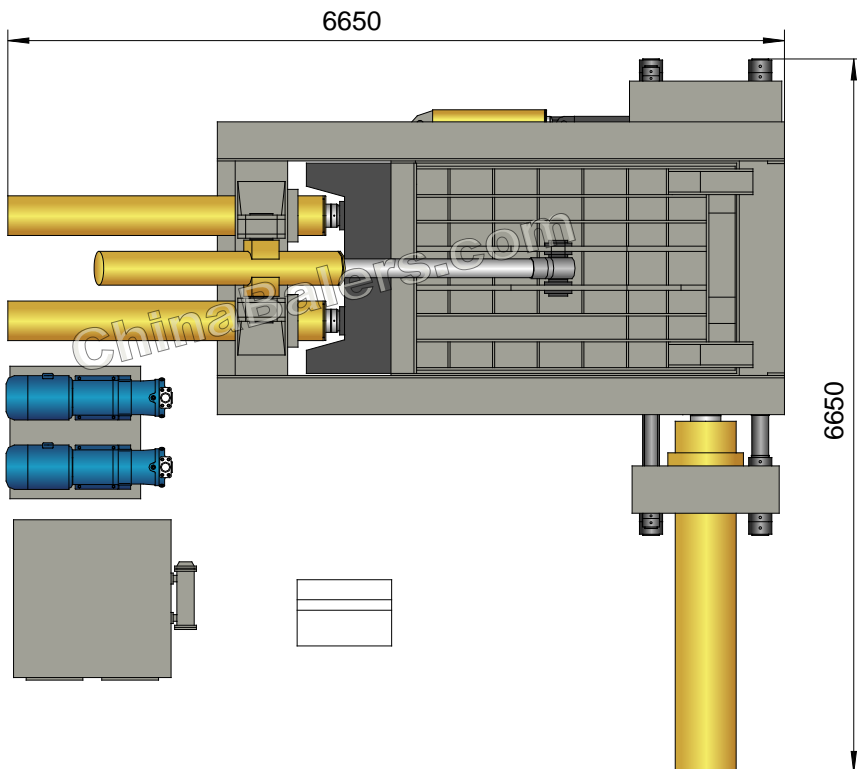
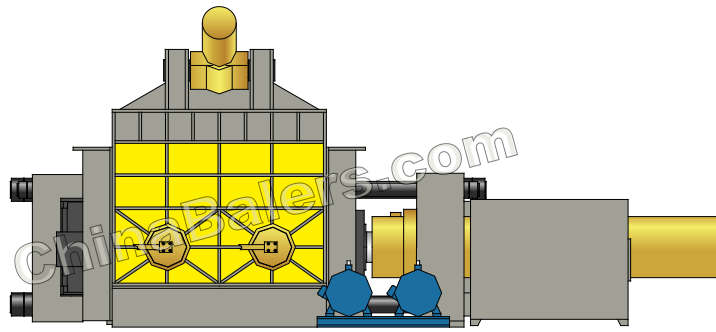
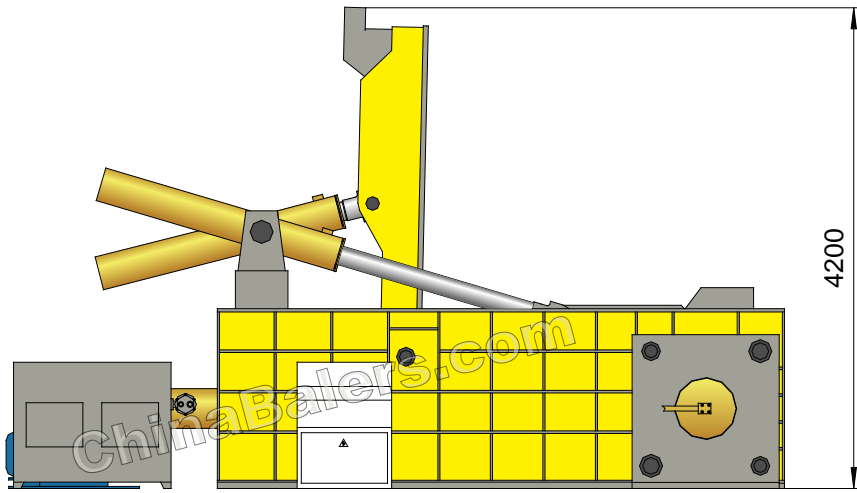
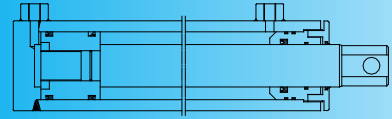
Hydraulic Oil Brand

Oil Tank Volume: 5400 ltr

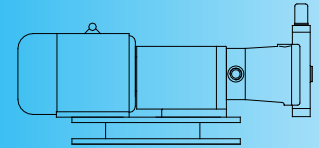
ISO VG	China	U.S.		Britain	France
	GB11118.1	CALTEX CO.	MOBIL	SHELL	ELF CO.
HM 46	46 #	Rando HD46	D.T.E46	Tellus 46	Elfolna 46
HM 68	68 #	Rando HD68	D.T.E68	Tellus 68	Elfolna 68

Above information are indicative not engaging. Rights reserved for change if necessary.

Y81T-400E



Y81T-400E



"Push-out" Type Metal Baler

Model: Y81T-400E

Power System (Motor, 2 sets)

Type:	Y280S-6
Rated Power:	45 kW (/set)
Rated Speed:	980 rpm
Power Spec:	3PH, 50 / 60Hz

Hydraulic System (Pump, 2 sets)

Type:	250YCY14-1B
Rated Displacement:	250 ml/r (/set)
Max Operating Pressure:	31.5 MPa

Operation System (Optional)

- Option 1: Manual Valve Operation
- Option 2: PLC Operation

System Parameters

Lid Cyl. Force:	120 Ton
Side Pressure Cyl. Force:	2×160 Ton
Main Pressure Cyl. Force:	400 Ton
Small Door Cyl. Force:	80 Ton
Locking Cyl. Force:	2×63 Ton
Hydraulic System Pressure:	25 MPa
Idle Cycle Time:	Approx. 180 Sec

Standard Configuration

A3 Steel Liners, Surface Heat Treatment.

Optional Configuration

- Cutting Blades & Teeth (2 sides);
- Loading Hopper; Cooler / Heater;
- Diesel / Diesel Generator for Power.

General Description

Main Machine Size (L×W×H):	6650×6650×4200 mm
Press Box Size (L×W×H):	2600×2000×1200 mm
Bale Size (W×H):	500×600 mm
Bale Weight (Steel):	400-700 kg
Production Rate (Steel):	6.0-10.0 tons/hr
Shipping Weight:	Approx. 55 tons
Loading (Standard Containers):	

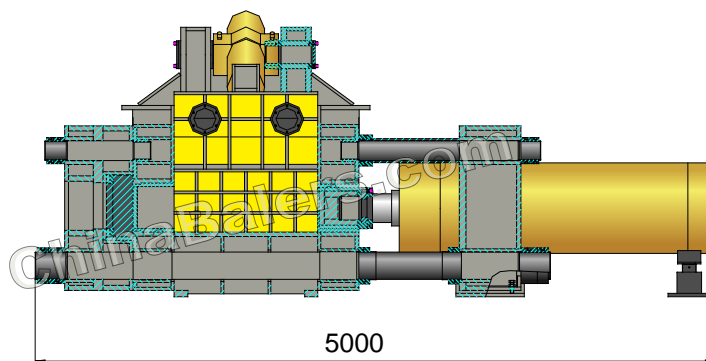
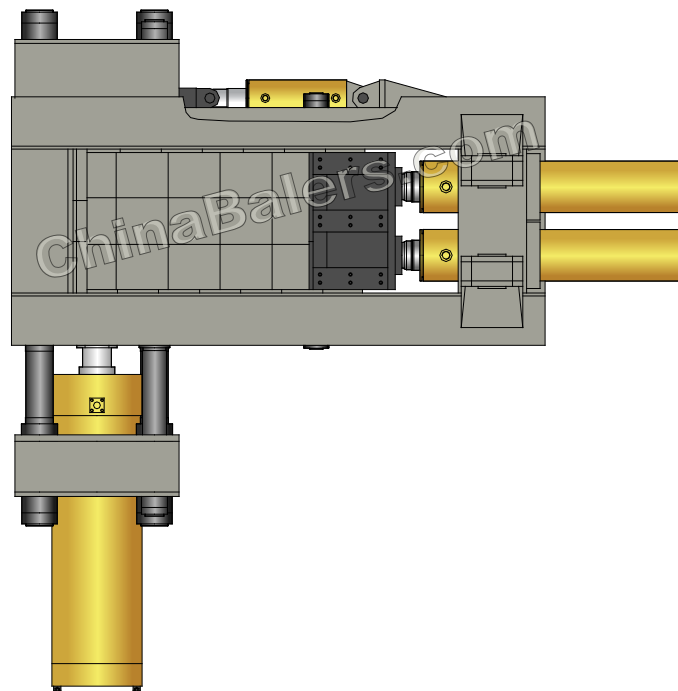
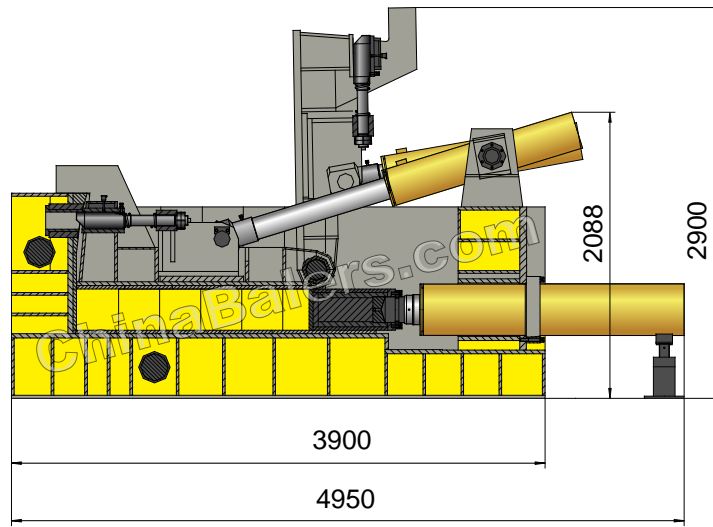
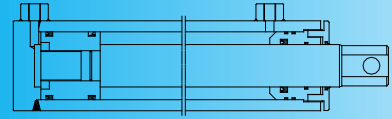
Hydraulic Oil Brand

Oil Tank Volume: 2800 ltr

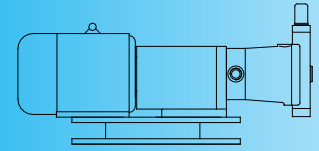
ISO VG	China	U.S.		Britain	France
	GB11118.1	CALTEX CO.	MOBIL	SHELL	ELF CO.
HM 46	46 #	Rando HD46	D.T.E46	Tellus 46	Elfolna 46
HM 68	68 #	Rando HD68	D.T.E68	Tellus 68	Elfolna 68

Above information are indicative not engaging. Rights reserved for change if necessary.

YE81T-500



YE81T-500



"Push-out" Type Metal Baler

Model: YE81T-500

Power System (Motor, 2 sets)

Type: Y225M-4
 Rated Power: 45 kW (/set)
 Rated Speed: 1480 rpm
 Power Spec: 3PH, 50 / 60Hz

Hydraulic System (Pump, 2 sets)

Type: LY-A7V160
 Rated Displacement: 160 ml/r (/set)
 Max Operating Pressure: 35 MPa

Standard Configuration

#45 Steel Liners 25mm, Wholly Heat Treated;
 NOK (JAPAN) Seal Packings for Cylinders;
 Cooler / Heater; Magnetic Oil Filter.

General Description

Main Machine Size (L×W×H): 4950×5000×2900 mm
 Press Box Size (L×W×H): 1600×1000×900 mm
 Bale Size (W×H): 300×300 mm
 Bale Weight (Steel): 130-160 kg
 Production Rate (Steel): 2.5-3.0 tons/hr
 Shipping Weight: Approx. 40 tons
 Loading (Standard Containers):

System Parameters

Lid Cyl. Force: 100 Ton
 Side Pressure Cyl. Force: 2×180 Ton
 Main Pressure Cyl. Force: 500 Ton
 Small Door Cyl. Force: 80 Ton
 Hydraulic System Pressure: 25 MPa
 Idle Cycle Time: Approx. 100 Sec

Operation System (Optional)

Mitsubishi / Siemens PLC Operation.

Optional Configuration

Cutting Blades & Teeth (2 sides); Loading Hopper;
 Mn65 Steel Liners for High Pressure Chamber;
 Diesel / Diesel Generator for Power.

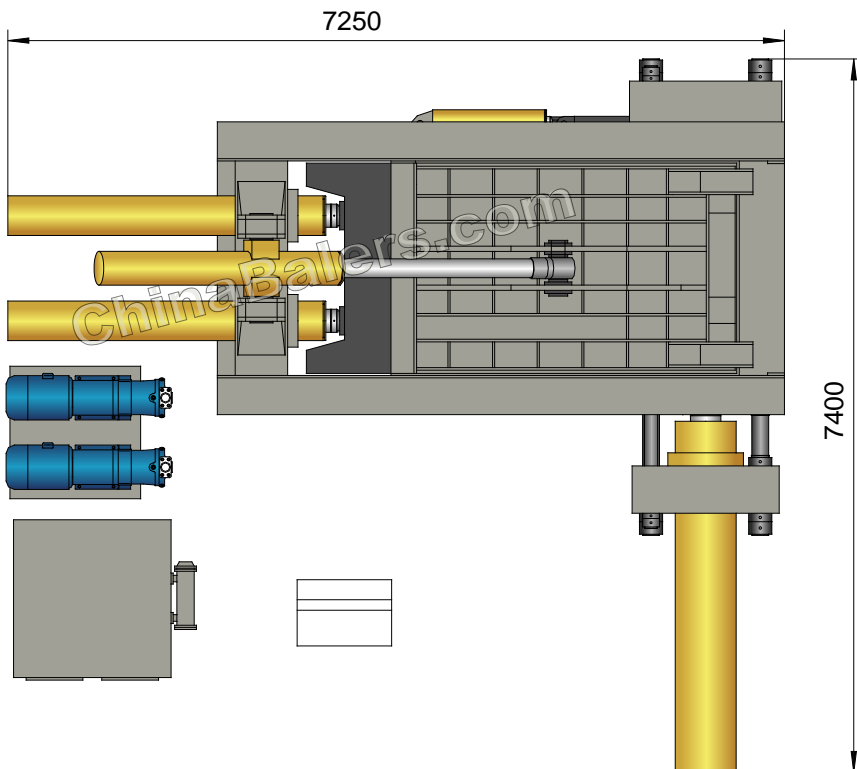
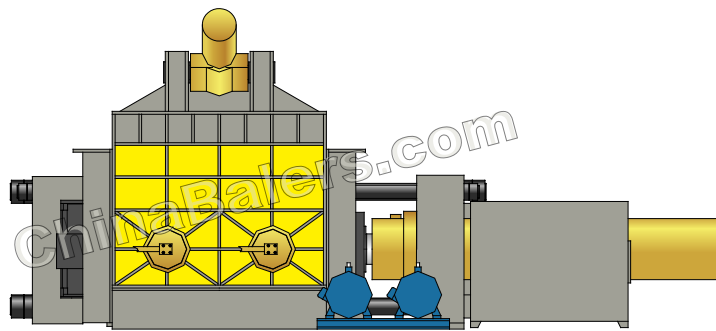
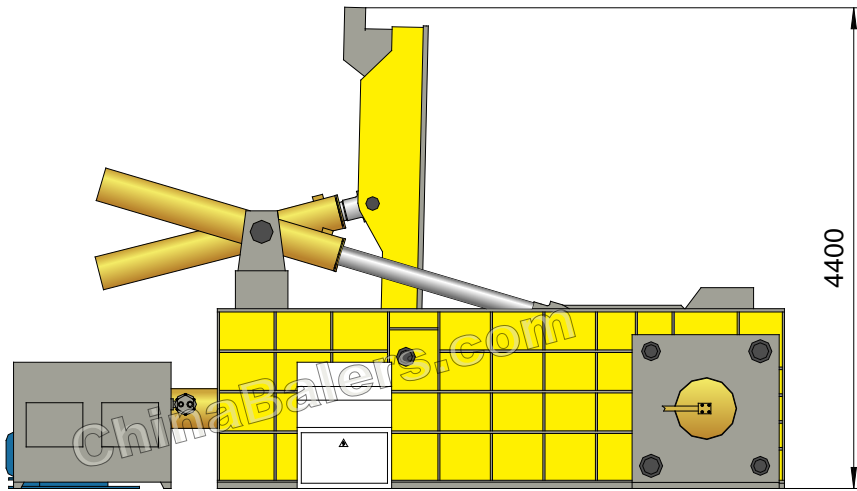
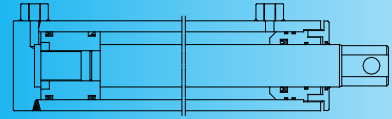
Hydraulic Oil Brand

Oil Tank Volume: 2800 ltr

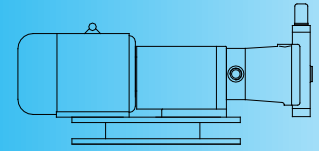
ISO VG	China	U.S.		Britain	France
	GB11118.1	CALTEX CO.	MOBIL	SHELL	ELF CO.
HM 46	46 #	Rando HD46	D.T.E46	Tellus 46	Elfolna 46
HM 68	68 #	Rando HD68	D.T.E68	Tellus 68	Elfolna 68

Above information are indicative not engaging. Rights reserved for change if necessary.

YE81T-600



YE81T-600



"Push-out" Type Metal Baler

Model: YE81T-600

Power System (Motor, 4 sets)

Type:	Y280S-6
Rated Power:	45 kW (/set)
Rated Speed:	980 rpm
Power Spec:	3PH, 50 / 60Hz

Hydraulic System (Pump, 4 sets)

Type:	250YCY
Rated Displacement:	250 ml/r (/set)
Max Operating Pressure:	31.5 MPa

Standard Configuration

#45 Steel Liners 25mm, Wholly Heat Treated;
NOK (JAPAN) Seal Packings for Cylinders;
Cooler / Heater; Magnetic Oil Filter.

General Description

Main Machine Size (L×W×H):	7250×7400×4400 mm
Press Box Size (L×W×H):	2800×2000×1400 mm
Bale Size (W×H):	500×500 / 530×530 mm
Bale Weight (Steel):	500-800 kg
Production Rate (Steel):	7.0-11.0 tons/hr
Shipping Weight:	Approx. 105 tons
Loading (Standard Containers):	4×20'OT + 2×20'ST

Hydraulic Oil Brand

Oil Tank Volume: 6000 ltr

ISO VG	China	U.S.		Britain	France
	GB11118.1	CALTEX CO.	MOBIL	SHELL	ELF CO.
HM 46	46 #	Rando HD46	D.T.E46	Tellus 46	Elfolna 46
HM 68	68 #	Rando HD68	D.T.E68	Tellus 68	Elfolna 68

System Parameters

Lid Cyl. Force:	120 Ton
Side Pressure Cyl. Force:	2×200 Ton
Main Pressure Cyl. Force:	600 Ton
Small Door Cyl. Force:	80 Ton
Locking Cyl. Force:	3×63 Ton
Hydraulic System Pressure:	25 MPa
Idle Cycle Time:	Approx. 200 Sec


Operation System (Optional)

Option 1: Manual Valve Operation
Option 2: PLC Operation

Optional Configuration

Cutting Blades & Teeth (2 sides); Loading Hopper;
Mn65 Steel Liners for High Pressure Chamber;
Diesel / Diesel Generator for Power.

Above information are indicative not engaging. Rights reserved for change if necessary.



Soochow Baling Machinery Ltd.

Jiangsu Huahong Technology Stock Co., Ltd.

Factory: Zhouzhuang, Jiangyin, Jiangsu

Office: Rm 1202, SIPCTD Bldg, No. 381 Suzhou Avenue East,
Suzhou Industrial Park, Suzhou, Jiangsu 215028 China

Tel: +86 512 6255 1141 **Fax:** +86 512 6255 1142

Email: info@chinabalers.com; chinabalers@foxmail.com

Website: www.chinabalers.com; www.chinabalers.net